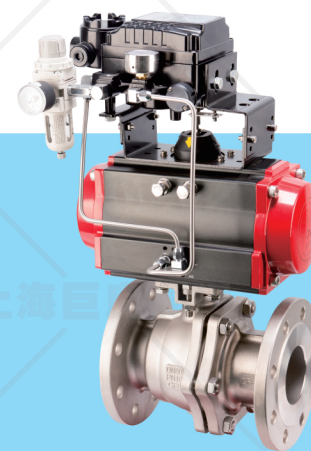


FLANGED BALL VALVE



JVL



Model: JL600-Q1/C4/F/16/P/50/D1/B/W2/B4/B7

Design Feature

- Full bore design, quick response and good sealing performance
- Small opening & closing torque, high reliability and long service life
- High platform structure, ISO5211 connection standard, convenient installation
- Bidirectional sealing, bidirectional pressure bearing, automatic compensation, self-cleaning function
- Fire proof, static proof structure, meets AP1607, GB/T6899 standard
- Available fiber and small particles of suspension and viscous medium

Model Naming Method

JL	-600	-Q1	-C4	-F	-16	-P	-50	-D1	-B	-W2	-B4	-B7
Juliang brand	Pneumatic	2-way valve	Flange	PTFE	PN	SS304	DN	Double acting	Exd II BT4	-20~150°C	Anti-explosion solenoid valve	Anti-explosion limit switch

Technical Parameter

DN	DN15~200mm
Nominal pressure	1.6~6.4Mpa (If need other standard, please indicate when ordering)
Body material	WCB (C), SS304 (P), SS316 (R)
Sealing material	PTFE (F), PPL (PPL) Metal hard seal (H), Hard Alloy (Y)
Medium temp.	W2: -20~150°C W3: -20~250°C W4: -29~425°C
Connection mode	Flange, Butt welding
Pneumatic actuator	JLAT series, JLAW series, Imported actuator series
Action mode	Double acting, Single acting normally closed, Single acting normally open
Electric actuator	JLA series, JLB series, Imported actuator series
Control mode	Standard switch type, Integral regulating type, Integral switch type, Field bus type

● Note: 1. Flanged ball valve body can be casted or forged, the form is divided into floating type, fixed type, mounted type; Seal is divided into soft seal, hard seal, pressure up to 2500 pounds, temperature resistance is -196~570°C.
2. Other special sealing materials and special temperature can be selected according to customers' requirements.

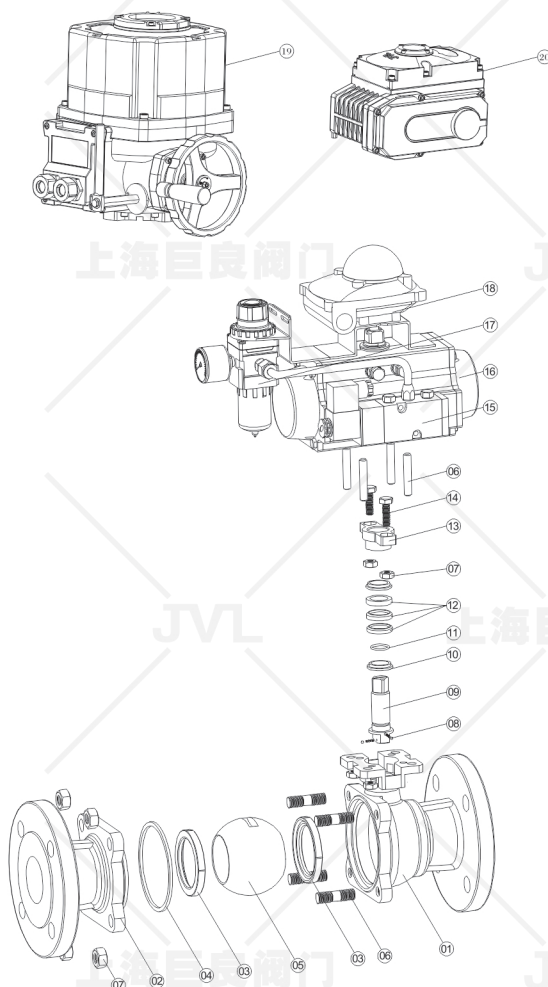
Main component table

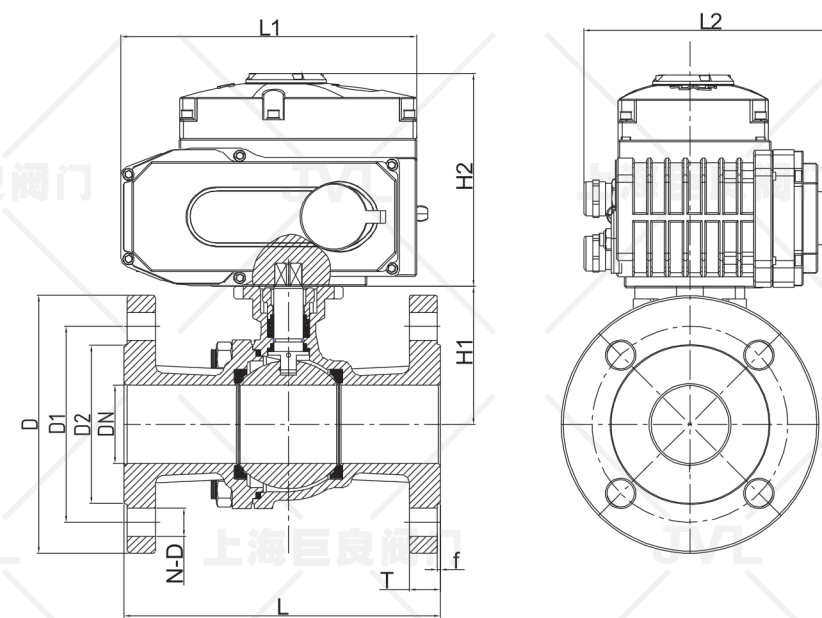
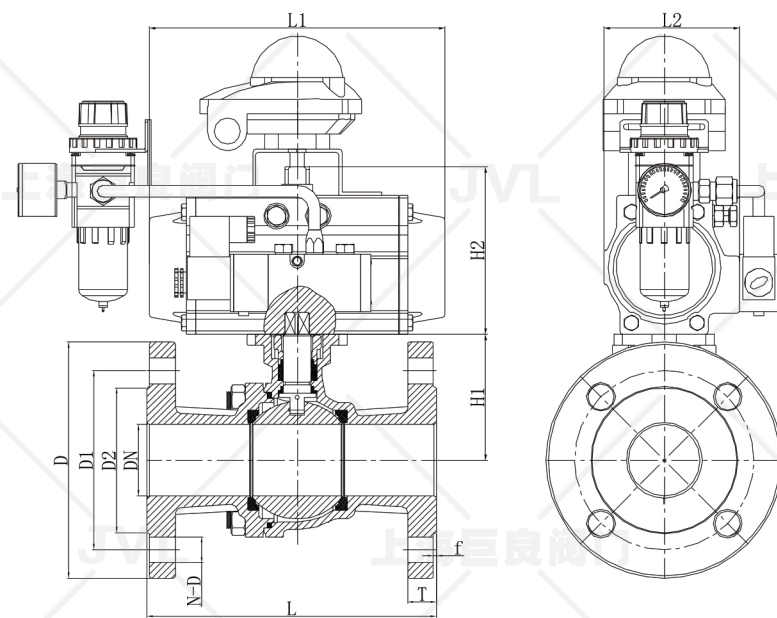
No.	Part Name	No.	Part Name
1	Valve body	11	O type ring
2	Bonnet	12	Packing
3	Valve seat	13	Gland
4	Sealing gasket	14	Outer hex screw
5	Ball	15	Solenoid valve
6	Connection bolt	16	Pneumatic actuator
7	Nut	17	Filter pressure reducing valve
8	Anti-static device	18	Limit switch
9	Stem	19	Anti-explosion electric actuator
10	Thrust washer	20	Electric actuator

● Note: The materials of main parts and sealing ring can be designed and selected according to the actual working conditions or customers' requirements.

Technical specification

Design consideration	GB		API		ASME
Design standard	GB/T 12237	GB/T 19672	API 608	API 6D	ASME B16.34
Structure length	GB/T 12221	GB/T 19672	ASME B16.10	API 6D	ASME B16.10
Flange standard	GB/T 9113		ASME B16.5/MSS SP-44/ASME B16.47		
Test, Inspection standard	JB/T 9092	GB/T 19672	API 598	API 6D	ASME B16.34





▼ PNEUMATIC OVERALL DIMENSIONS CHART-PN16(16bar)

DN	Overall Dimension					Connection Dimension						Actuator Model
	L	L1	L2	H1	H2	D	D1	D2	T	f	n-d	
15	130	159/172	73/85	48	73	95	65	45	16	2	4-14	JLATD52/JLATE63
20	130	172/185	85/95	53	90	105	75	58	16	2	4-14	JLATD63/JLATE75
25	140	172/215	85/105	58.5	90	115	85	68	18	2	4-14	JLATD63/JLATE83
32	165	185/265	95/110	71	100	140	100	78	18	2	4-18	JLATD75/JLATE92
40	165	215/270	105/125	76	110	150	110	88	18	2	4-18	JLATD83/JLATE105
50	203	215/270	105/125	85	110	165	125	102	18	2	4-18	JLATD83/JLATE105
65	222	270/310	125/142	101.5	142	185	145	122	18	2	8-18	JLATD105/JLATE125
80	241	270/310	125/142	111.5	142	200	160	138	20	2	8-18	JLATD105/JLATE125
100	305	310/465	142/178	146	158	220	180	158	20	2	8-18	JLATD125/JLATE160
125	325	465/550	178/210	183	200	250	210	188	19	3	8-18	JLATD160/JLATE190
150	350	550/550	210/235	202	235	285	240	212	19	3	8-22	JLATD190/JLATE210
200	400	550/646	235/258	253	260	340	295	268	21	3	12-22	JLATD210/JLATE240

●Note: According to different valve torque, different air supply pressure and different actual working conditions, select the matched actuator, and its relevant dimensions change accordingly.

▼ Attachment selection

Solenoid valve	3/2, 5/2, single electric control and double electric control, please indicate when ordering
Filter pressure reducing valve	Stabilize and filter air source pressure
Limit switch	Remote feedback switch signal
Manual device	Open and close valve manually
Positioner	Input analog signal (4-20mA or 0-10V),adjust valve travel
Remark	The above accessories are not standard accessories, if you need them, please indicate when ordering, solenoid valve and limit switch are divided into explosion-proof type and non-explosion-proof type, please indicate the explosion-proof grade if you need.

▼ ELECTRIC OVERALL DIMENSIONS CHART-PN16(16bar)

DN	Overall Dimension					Connection Dimension						Actuator Model
	L	L1	L2	H1	H2	D	D1	D2	T	f	n-d	
15	130	165/320	150/220	48	135/270	95	65	45	16	2	4-14	JLA05/JLB10
20	130	165/320	150/220	53	135/270	105	75	58	16	2	4-14	JLA05/JLB10
25	140	165/320	150/220	58.5	135/270	115	85	68	18	2	4-14	JLA05/JLB10
32	165	165/320	150/220	71	135/270	140	100	78	18	2	4-18	JLA05/JLB10
40	165	190/320	170/220	76	140/270	150	110	88	18	2	4-18	JLA10/JLB15
50	203	190/320	170/220	85	140/270	165	125	102	18	2	4-18	JLA16/JLB15
65	222	190/355	170/250	101.5	140/275	185	145	122	18	2	8-18	JLA X20/JLB20
80	241	270/375	220/290	111.5	170/315	200	160	138	20	2	8-18	JLA20/JLB30
100	305	270/375	220/290	146	170/315	220	180	158	20	2	8-18	JLA40/JLB40
125	325	270/400	220/330	183	170/360	250	210	188	19	3	8-18	JLA100/JLB100
150	350	270/400	220/330	202	170/360	285	240	212	19	3	8-22	JLA200/JLB100
200	400	400	330	253	520	340	295	268	21	3	12-22	JLB200

●Note: According to different valve torque, different voltage and different actual working conditions, select the matched actuator, and its relevant dimensions change accordingly.

▼ Control mode selection

Standard switch type	Active switching quantity control, passive switching quantity feedback
Integral switch type	Passive switching quantity control, passive switching quantity feedback
Integral regulating type	Analog quantity control(4-20mA), Analog quantity feedback(4-20mA)
RS485 Field bus type	Support RS485 communication
Remark	Other type of control signal and feedback signal can be customized according to customers' requirements