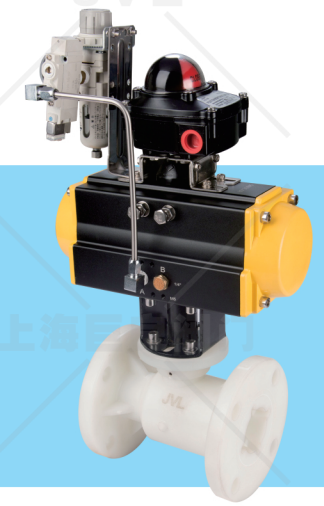


# PLASTIC BALL VALVE

JVL

JVL



Model: JL600-Q8/C2/F/10/U/50/D2/B/W1/B5/B9

## Design Feature

- Strong corrosion resistance, not easy to aging, light weight, UV resistant
- Smooth pipe wall, low friction, smooth flow, clean and sanitary
- Small torque, quick response, stable working, ultra-long service life
- All-plastic structure, convenient disassembly and assembly, economical & practical, zero leakage

## Model Naming Method

JL	-600	-Q8	-C2	-F	-10	-U	-50	-D2	-B	-W1	-B5	-B9
Juliang brand	Pneumatic	Plastic ball valve	Union	PTFE	PN	UPVC	DN	Double acting regulating type	Exd II BT4	-20~80℃	Filter pressure reducing valve	Positioner

## Technical Parameter

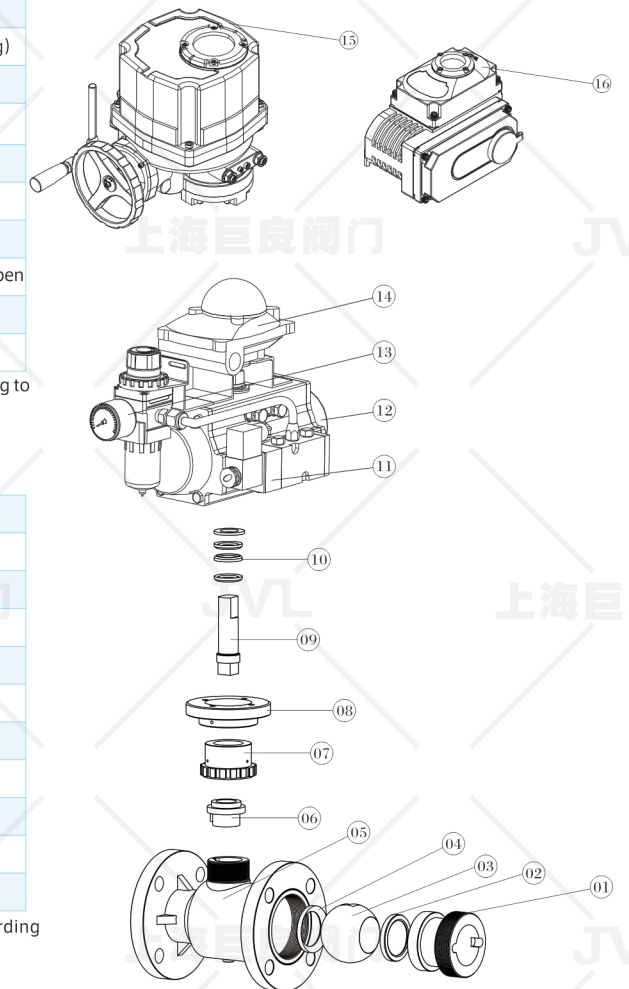
DN	DN15~300mm
Nominal pressure	1.0Mpa (Other pressure standard, please indicate when ordering)
Body material	UPVC(U), RPP(PP), ABS
Sealing material	PTFE(F)
Medium temp.	W1: -20~80℃
Connection mode	Union, Flange, Butt welding, Bond, Female thread
Pneumatic actuator	JLAT series, JLAW series, JLT series, Imported actuator series
Action mode	Double acting, Single acting normally closed, Single acting normally open
Electric actuator	JLA series, JLB series, Imported actuator series
Control mode	Standard switch type, Integral regulating type, Integral switch type, Field bus type

• Note: Other special sealing materials and special temperature can be selected according to customers' requirements.

## Main component table

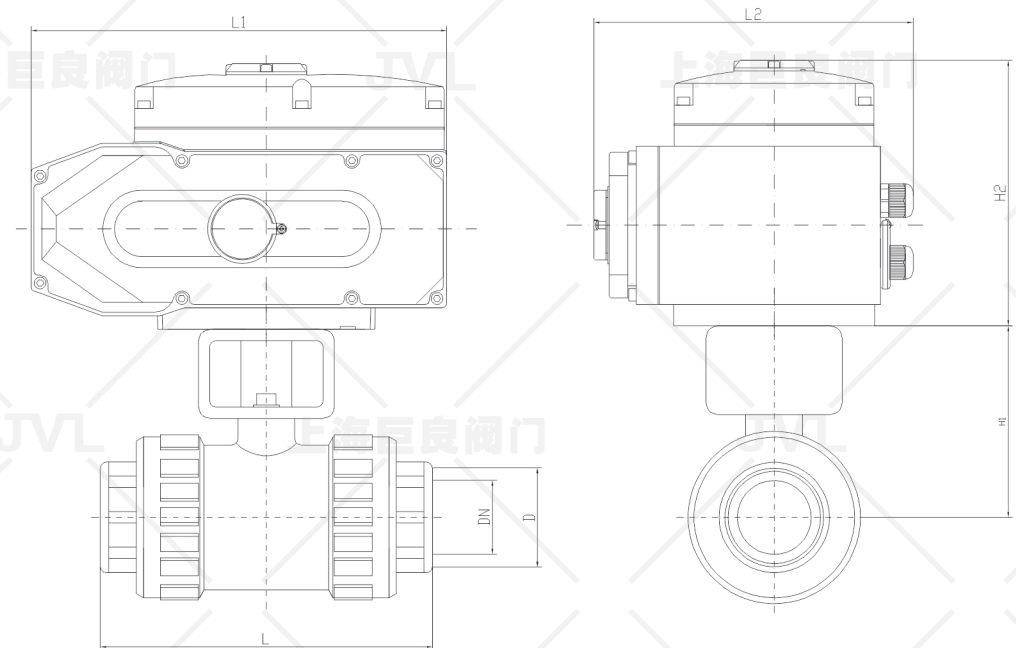
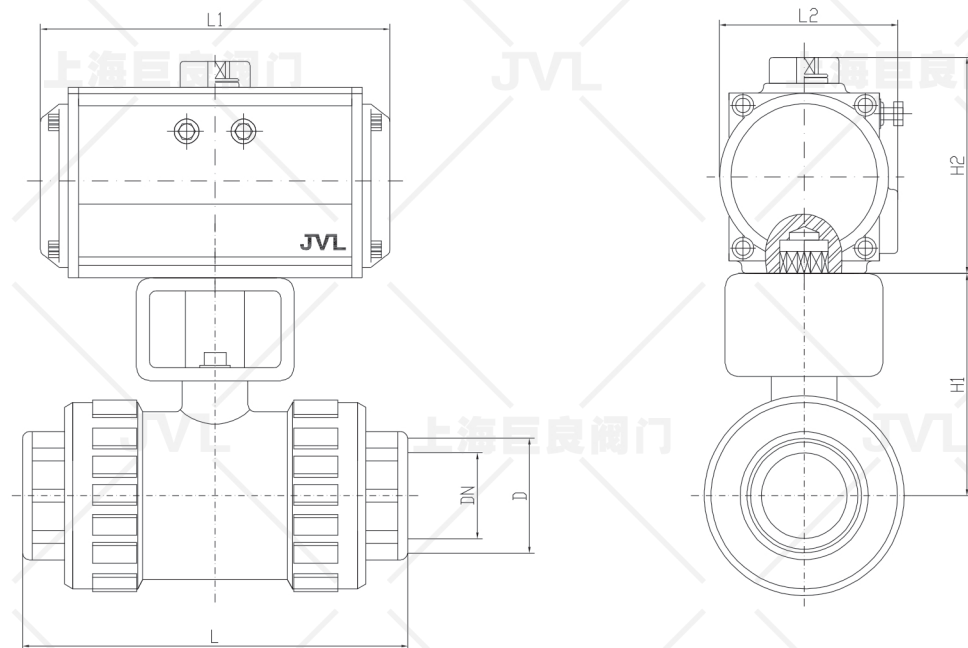
No.	Part Name	No.	Part Name
1	Bonnet	11	Solenoid valve
2	Valve seat	12	Pneumatic actuator
3	Valve core	13	Filter pressure reducing valve
4	Valve seat	14	Limit switch
5	Valve body	15	Anti-explosion electric actuator
6	Shaft sleeve	16	Electric actuator
7	Gland		
8	Connecting		
9	Stem		
10	Packing		

• Note: The materials of main parts and sealing ring can be designed and selected according to the actual working conditions or customers' requirements.



## Technical specification

Design Consideration	GB		
Design standard	GB/T 37842	Test, Inspection standard	GB/T 27726
Flange connection	HG/T 20592	Threaded connection	HG/T 7306
Raw material requirement	ISO 15493		ISO 15494



▼ PNEUMATIC OVERALL DIMENSIONS CHART-PN10 ( 10bar )

DN	D	L			L1	L2	H2	Actuator Model
		SOCKET	THREAD	FLANGE				
15	20	112	112	164	152/172	73/85	73/90	JLATD52/JLATE63
20	25	130	130	182	172/185	85/95	90/100	JLATD63/JLATE75
25	32	144	144	210	172/215	85/105	90/110	JLATD63/JLATE83
32	40	168	168	233	185/265	95/110	100/120	JLATD75/JLATE92
40	50	173	173	247	215/270	105/125	110/142	JLATD83/JLATE105
50	63	204	204	290	215/270	105/125	110/142	JLATD83/JLATE105
65	75	275	275	370	265/310	110/142	120/158	JLATD92/JLATE125
80	90	300	300	415	270/310	125/142	142/158	JLATD105/JLATE125
100	110	330	330	460	310/400	142/160	158/178	JLATD125/JLATE140

●Note: According to different valve torque, different air supply pressure and different actual working conditions, select the matched actuator, and its relevant dimensions change accordingly.

▼ ELECTRIC OVERALL DIMENSIONS CHART-PN10 ( 10bar )

DN	D	L			L1	L2	H2	Actuator Model
		SOCKET	THREAD	FLANGE				
15	20	112	112	164	165/320	150/220	135/270	JLA05/JLB10
20	25	130	130	182	165/320	150/220	135/270	JLA05/JLB10
25	32	144	144	210	165/320	150/220	135/270	JLA05/JLB10
32	40	168	168	233	165/320	150/220	135/270	JLA05/JLB10
40	50	173	173	247	190/320	170/220	140/270	JLA10/JLB15
50	63	204	204	290	190/320	170/220	140/270	JLA10/JLB15
65	75	275	275	370	190/355	170/250	140/275	JLA16/JLB20
80	90	300	300	415	270/375	220/290	170/315	JLA20/JLB30
100	110	330	330	460	270/375	220/290	170/315	JLA40/JLB40

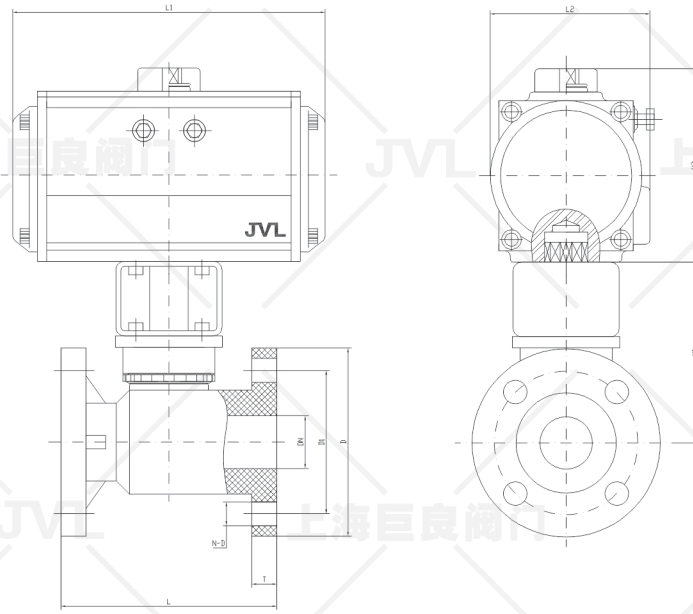
●Note: According to different valve torque, different voltage and different actual working conditions, select the matched actuator, and its relevant dimensions change accordingly.

▼ Attachment selection

Solenoid valve	3/2, 5/2, single electric control and double electric control, please indicate when ordering
Filter pressure reducing valve	Stabilize and filter air source pressure
Limit switch	Remote feedback switch signal
Manual device	Open and close valve manually
Positioner	Input analog signal (4-20mA or 0-10V), adjust valve travel

▼ Control mode selection

Standard switch type	Active switching quantity control, passive switching quantity feedback
Integral switch type	Passive switching quantity control, passive switching quantity feedback
Integral regulating type	Analog quantity control(4-20mA), Analog quantity feedback(4-20mA)
RS485 Field bus type	Support RS485 communication
Remark	Other type of control signal and feedback signal can be customized according to customers' requirements



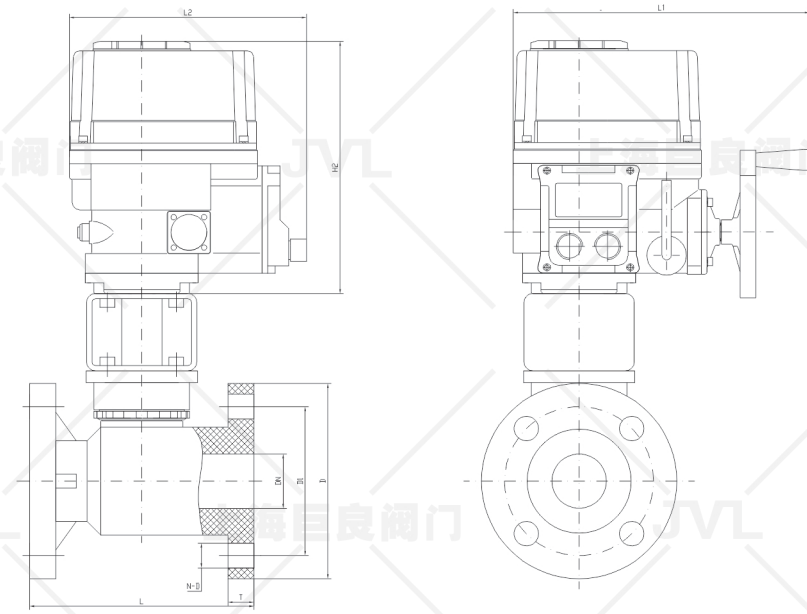
▼ PNEUMATIC OVERALL DIMENSIONS CHART-PN10 ( 10bar )

DN	Overall Dimension & Connection Dimension								Actuator Model
	L	L1	L2	H2	D	D1	T	N-D	
15	120	159/172	73/85	73/90	95	65	14	4-14	JLATD52/JLATE63
20	120	172/185	85/95	90/100	105	75	16	4-14	JLATD63/JLATE75
25	140	172/215	85/105	90/110	115	85	16	4-14	JLATD63/JLATE83
32	145	185/265	95/110	100/120	135	100	16	4-18	JLATD75/JLATE92
40	165	215/270	105/125	110/142	145	110	16	4-18	JLATD83/JLATE105
50	180	215/270	105/125	110/142	160	125	18	4-18	JLATD83/JLATE105
65	220	265/310	110/142	120/158	180	145	22	4-18	JLATD92/JLATE125
80	250	270/310	125/142	142/158	195	160	25	4-18	JLATD105/JLATE125
100	280	310/400	142/160	158/178	215	180	25	8-18	JLATD125/JLATE140
125	320	400/550	160/210	178/235	245	210	30	8-18	JLATD140/JLATE190
150	360	550/550	210/235	235/260	280	240	30	8-23	JLATD190/JLATE210
200	400	550/646	235/258	260/325	335	295	35	8-23	JLATD210/JLATE240
250	500	646/722	258/292	325/350	395	350	38	12-23	JLATD240/JLATE270

●Note: According to different valve torque, different air supply pressure and different actual working conditions, select the matched actuator, and its relevant dimensions change accordingly.

▼ Attachment selection

Solenoid valve	3/2, 5/2, single electric control and double electric control, please indicate when ordering
Filter pressure reducing valve	Stabilize and filter air source pressure
Limit switch	Remote feedback switch signal
Manual device	Open and close valve manually
Positioner	Input analog signal (4-20mA or 0-10V), adjust valve travel



▼ ELECTRIC OVERALL DIMENSIONS CHART-PN10 ( 10bar )

DN	Overall Dimension & Connection Dimension								Actuator Model
	L	L1	L2	H2	D	D1	T	N-D	
15	120	165/320	150/220	135/270	95	65	14	4-14	JLA05/JLB10
20	120	165/320	150/220	135/270	105	75	16	4-14	JLA05/JLB10
25	140	165/320	150/220	135/270	115	85	16	4-14	JLA05/JLB10
32	145	165/320	150/220	135/270	135	100	16	4-18	JLA05/JLB10
40	165	190/320	170/220	140/270	145	110	16	4-18	JLA10/JLB15
50	180	190/320	170/220	140/270	160	125	18	4-18	JLA10/JLB15
65	220	190/355	170/250	140/275	180	145	22	4-18	JLA16/JLB20
80	250	270/375	220/290	170/315	195	160	25	4-18	JLA20/JLB30
100	280	270/375	220/290	170/315	215	180	25	8-18	JLA40/JLB40
125	320	270/375	220/290	170/315	245	210	30	8-18	JLA60/JLB50
150	360	270/400	220/330	170/360	280	240	30	8-23	JLA100/JLB100
200	400	400	330	520	335	295	35	8-23	JLB200
250	500	400	330	520	395	350	38	12-23	JLB200

●Note: According to different valve torque, different voltage and different actual working conditions, select the matched actuator, and its relevant dimensions change accordingly.

▼ Control mode selection

Standard switch type	Active switching quantity control, passive switching quantity feedback
Integral switch type	Passive switching quantity control, passive switching quantity feedback
Integral regulating type	Analog quantity control(4-20mA), Analog quantity feedback(4-20mA)
RS485 Field bus type	Support RS485 communication
Remark	Other type of control signal and feedback signal can be customized according to customers' requirements