

PLASTIC BUTTERFLY VALVE

JVL

JVL



Model: JL600-D4/C7/X1/10/U/100/E1/B/W1/B3/B7

Design Feature

- Strong corrosion resistance, not easy to aging, light weight, UV resistant
- Smooth pipe wall, low friction, smooth flow, clean and sanitary
- Small torque, fast response, stable working, ultra long service life
- All plastic structure, convenient disassembly and assembly, economical and practical, zero leakage

Model Naming Method

JL	-600	-D4	-C7	-X1	-10	-U	-100	-E1	-B	-W1	-B3	-B7
Juliang brand	Pneumatic butterfly valve	Plastic wafer	NBR	PN	UPVC	DN	Single acting normally closed	Exd II BT4	-20~80℃	5/2 Anti-explosion solenoid valve	Anti-explosion limit switch	Anti-explosion limit switch

Technical Parameter

DN	DN40-600mm(For other DN, please indicate when ordering)
Nominal pressure	1.0Mpa(For higher pressure, please indicate when ordering)
Air source pressure	Double acting: 4~8 bar, Single acting 5~8 bar
Body material	UPVC, PP, CRVC, PVDF etc.
Sealing material	NBR(X1), EPDM(X3)
Medium temp.	W1: -20~80℃
Connection mode	Wafer
Pneumatic actuator	JLAT series, JLAW series, Imported actuator series
Action mode	Double acting, Single acting normally closed, Single acting normally open
Electric actuator	JLA series, JLB series, Imported actuator series
Control mode	Standard switch type, Integral regulating type, Integral switch type, Field bus type

• Notes: Other special sealing materials and special temperature can be selected according to customers' requirements.

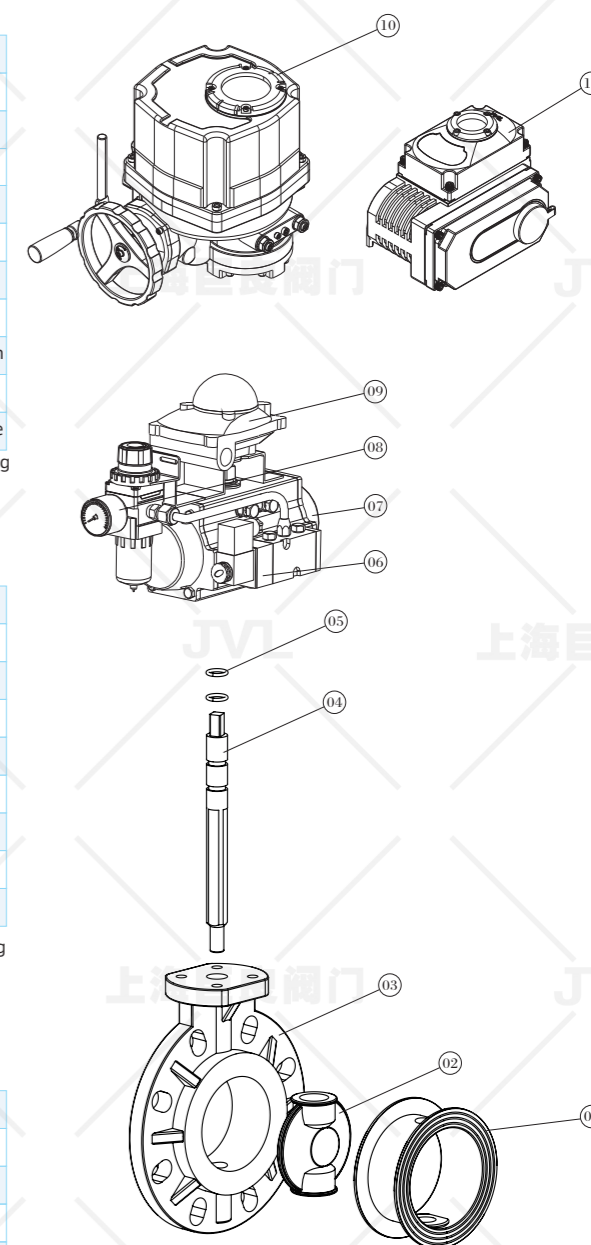
Main component table

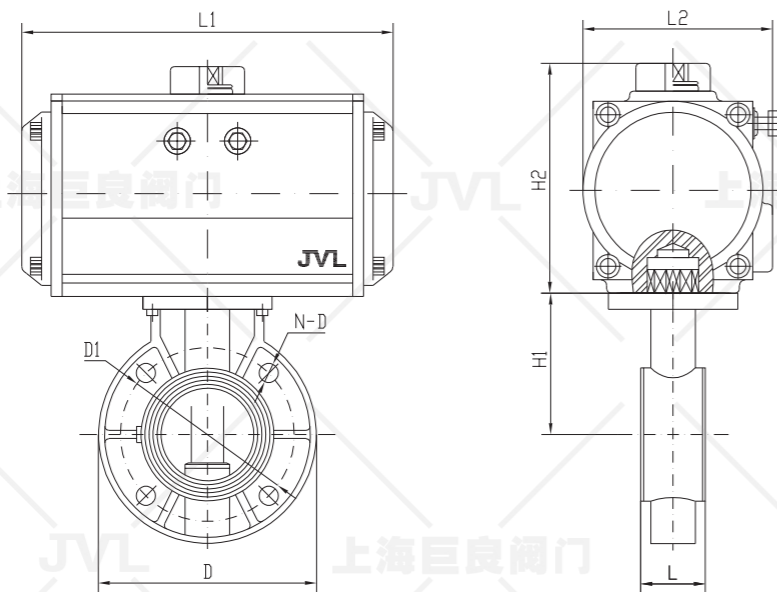
No.	Part Name	No.	Part Name
1	Valve seat	9	Limit switch
2	Disc	10	Anti-explosion electric actuator
3	Valve body	11	Electric actuator
4	Stem		
5	O type ring		
6	Solenoid valve		
7	Pneumatic actuator		
8	Filter pressure reducing valve		

• Note: The materials of main parts and sealing ring can be designed and selected according to the actual working conditions or customers' requirements.

Technical specification

Design reference	GB
Design standard	GB/T 122387
Structure length	GB/T 12221
Flange standard	JB79-59
Test & Inspection standard	JB/T 9020





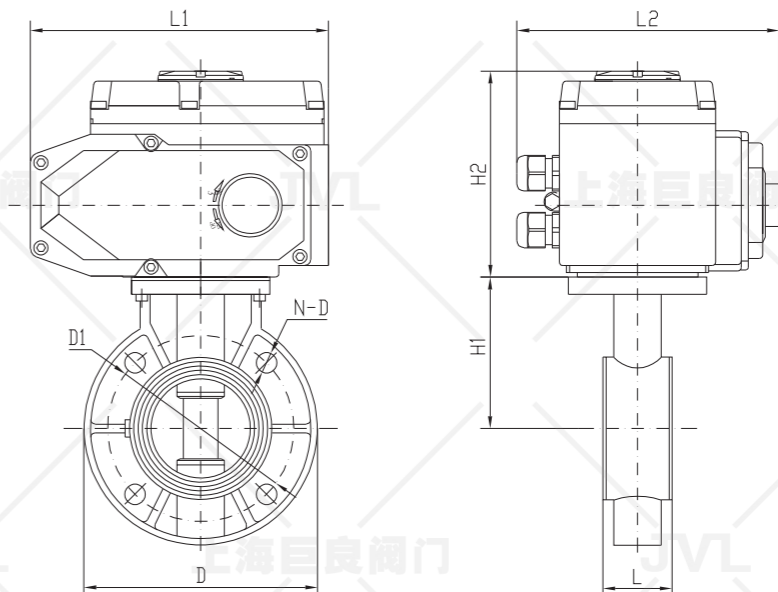
▼ PNEUMATIC OVERALL DIMENSIONS CHART-PN10 (10bar)

DN	Overall Dimension				Connection Dimension			Actuator Model
	L	L1	L2	H2	D	D1	N-D	
40	39	159/185	73/95	73/100	145	110	4-18	JLATD52/JLATE75
50	45	159/185	73/95	73/100	160	125	4-18	JLATD52/JLATE75
65	48	172/185	85/95	90/100	180	145	4-18	JLATD63/JLATE75
80	48	185/215	95/105	100/110	195	160	8-18	JLATD75/JLATE83
100	58	215/265	105/110	110/120	215	180	8-18	JLATD83/JLATE92
125	70	265/270	110/125	120/142	245	210	8-18	JLATD92/JLATE105
150	76	270/310	125/142	142/158	280	240	8-22	JLATD105/JLATE125
200	92	310/310	142/142	158/158	335	295	8-22	JLATD125/JLATE125
250	114	400/400	160/160	178/178	395	350	12-22	JLATD140/JLATE140
300	120	465/465	178/178	200/200	445	400	12-22	JLATD160/JLATE160
350	130	550/550	210/210	235/235	505	460	16-22	JLATD190/JLATE190
400	140	550/550	235/235	260/260	580	515	16-22	JLATD210/JLATE210
450	152	646/646	258/258	325/325	615	565	20-26	JLATD240/JLATE240
500	152	646/1495	258/350	325/326	670	620	20-26	JLATD240/JLAWE20
600	178	1630	375	326	780	725	20-30	JLAWD25/JLAWE25

●Note: According to different valve torque, different air supply pressure and different actual working conditions, select the matched actuator, and its relevant dimensions change accordingly.

▼ Attachment selection

Solenoid valve	3/2, 5/2, single electric control and double electric control, please indicate when ordering
Filter pressure reducing valve	Stabilize and filter air source pressure
Limit switch	Remote feedback switch signal
Manual device	Open and close valve manually
Positioner	Input analog signal (4-20mA or 0-10V),adjust valve travel
Remark	The above accessories are not standard accessories, if you need them, please indicate when ordering, solenoid valve and limit switch are divided into explosion-proof type and non-explosion-proof type, please indicate the explosion-proof grade if you need.



▼ ELECTRIC OVERALL DIMENSIONS CHART-PN10 (10bar)

DN	Overall Dimension				Connection Dimension			Actuator Model
	L	L1	L2	H2	D	D1	N-D	
40	39	165/320	150/220	135/270	145	110	4-18	JLA05/JLB10
50	45	165/320	150/220	135/270	160	125	4-18	JLA05/JLB10
65	48	165/320	150/220	135/270	180	145	4-18	JLA05/JLB10
80	48	165/320	150/220	135/270	195	160	8-18	JLA05/JLB10
100	58	165/320	150/220	135/270	215	180	8-18	JLA05/JLB10
125	70	190/320	170/220	140/270	245	210	8-18	JLA10/JLB15
150	76	190/355	170/250	140/275	280	240	8-22	JLA16/JLB20
200	92	270/375	220/290	170/315	335	295	8-22	JLA20/JLB30
250	114	270/375	220/290	170/315	395	350	12-22	JLA40/JLB40
300	120	270/400	220/330	170/360	445	400	12-22	JLA100/JLB100
350	130	270/400	220/330	170/360	505	460	16-22	JLA100/JLB100
400	140	270/400	220/330	170/360	580	515	16-22	JLA200/JLB100
450	152	400	330	250	615	565	20-26	JLB200
500	152	400	330	250	670	620	20-26	JLB200
600	178	400	330	250	780	725	20-30	JLB200

●Note: According to different valve torque, different voltage and different actual working conditions, select the matched actuator, and its relevant dimensions change accordingly.

▼ Control mode selection

Standard switch type	Active switching quantity control, passive switching quantity feedback
Integral switch type	Passive switching quantity control, passive switching quantity feedback
Integral regulating type	Analog quantity control(4-20mA), Analog quantity feedback(4-20mA)
RS485 Field bus type	Support RS485 communication
Remark	Other type of control signal and feedback signal can be customized according to customers' requirements