

SANITARY BUTTERFLY VALVE



Model: JL600-D3/C8/X5/10/P/100/T1/W1/B7

Design Feature

- Inner wall polished, unimpeded, clean and sanitary, no dead angle easy to clean
- Small opening and closing torque, quick response, high machining accuracy, ultra long service life
- Quick disassembly and assembly, not easy to deform, corrosion resistance, zero leakage
- Smooth, seamless and self-emptying features make it meet the special needs of food, pharmaceutical and other fields

Model Naming Method

JL	-600	-D3	-C8	-X5	-10	-P	-100	-T1	-	-W1	-B7	-
Juliang brand	Pneumatic butterfly valve	Sanitary butterfly valve	Clamp	Silicone rubber	PN	SS304	DN	Integral switch type	Anti-explosion class	-20~80°C	Anti-explosion limit switch	Attachment selection

Technical Parameter

DN	DN20~250mm(For other DN, please indicate when ordering)
Nominal pressure	1.0Mpa (For other pressure standard, please indicate when ordering)
Body material	SS304(P), SS316(R)
Sealing material	EPDM(X3), Food Grade Silicone (X5)
Medium temp.	W1:-20~80°C
Connection mode	Clamp, Butt welding
Pneumatic actuator	JLAT series, JLAW series, Imported actuator series
Action mode	Double acting, Single acting normally closed, Single acting normally open
Electric actuator	JLA series, JLB series, Imported actuator series
Control mode	Standard switch type, Integral regulating type, Integral switch type, Field bus type

•Notes: Other special sealing materials and special temperature can be selected according to customers' requirements.

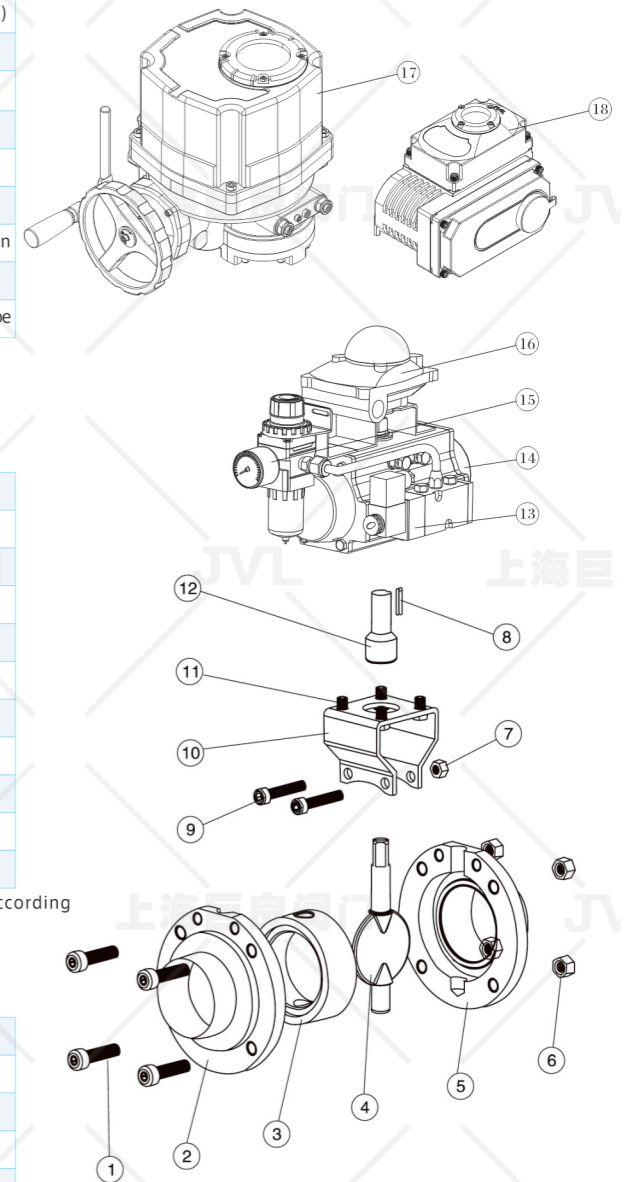
Main component table

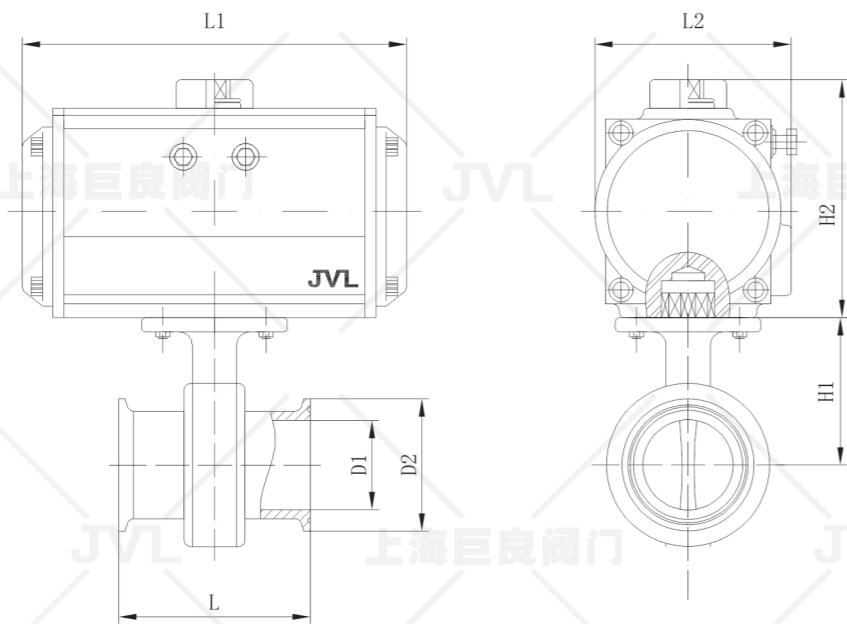
No.	Part Name	No.	Part Name
1	Bolt	11	Bolt
2	Left valve body	12	Connecting sleeve
3	Valve seat	13	Solenoid valve
4	Disc	14	Pneumatic actuator
5	Right valve body	15	Filter pressure reducing valve
6	Nut	16	Limit switch
7	Nut	17	Anti-explosion electric actuator
8	Key	18	Electric actuator
9	Bolt		
10	Connecting yoke		

•Note: The materials of main parts and sealing ring can be designed and selected according to the actual working conditions or customers' requirements.

Technical specification

Design consideration	GB
Design standard	GB/T 2238
Structure length	GB/T 12221
Flange standard	GB/T 9113
Test, Inspection standard	GB/T 13927





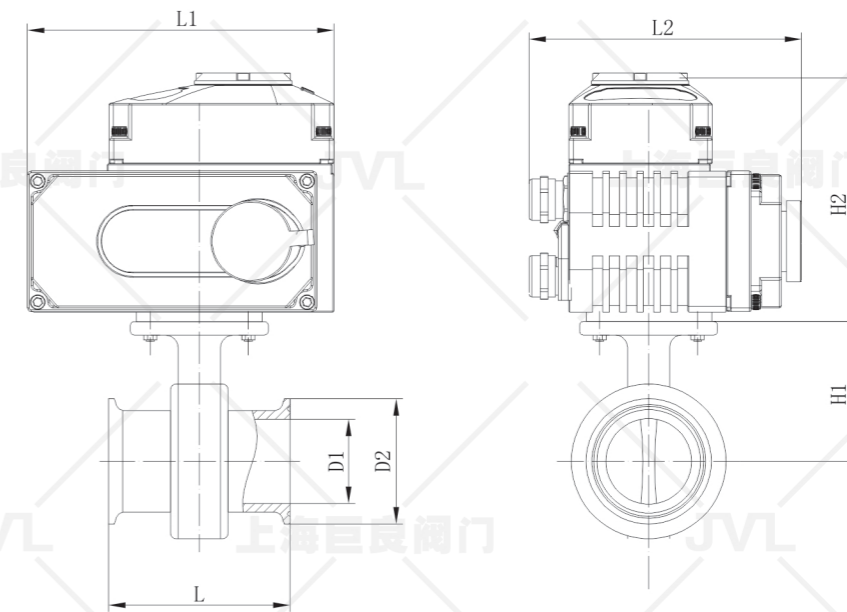
▼ PNEUMATIC OVERALL DIMENSIONS CHART-PN10 (10bar)

SIZE in	OD Φ	Overall Dimension							Actuator Model
		D1	D2	L	H1	L1	L2	H2	
3/4"	19	16.1	50.5	66	68	159/172	73/85	73/90	JLATD52/JLATE63
1"	25.4	22.4	50.5	66	68	159/172	73/85	73/90	JLATD52/JLATE63
1 1/4"	31.8	28.8	50.5	66	68	159/172	73/95	73/90	JLATD52/JLATE63
1 1/2"	38.1	35.1	50.5	66	72	159/172	73/95	73/90	JLATD52/JLATE63
1 1/2"	45	42	64	70	74	159/172	73/95	73/90	JLATD52/JLATE63
2"	50.8	47.8	64	72	79	159/172	73/95	73/90	JLATD52/JLATE63
2 1/4"	57	53	77	76	83	172/185	85/95	90/100	JLATD63/JLATE75
2 1/2"	63.5	59.5	77	76	86	172/185	85/95	90/100	JLATD63/JLATE75
3"	76.2	72.2	91	76	96	185/215	95/105	100/110	JLATD75/JLATE83
3 1/2"	89	85	106	84	102	185/215	95/105	100/110	JLATD75/JLATE83
4"	101.6	97.6	119	90	110	215/265	105/110	110/120	JLATD83/JLATE92
4"	108	104	119	90	112	215/265	105/110	110/120	JLATD83/JLATE92
4"	114	110	130	106	112	215/265	105/110	110/120	JLATD83/JLATE92
5"	133	128	145	104	128	265/270	110/125	120/142	JLATD92/JLATE105
6"	159	153.5	183	110	147	270/310	125/142	142/158	JLATD105/JLATE125
8"	219	214	233.5	114	183	270/310	125/142	142/158	JLATD105/JLATE125
10"	273	267	286	142	257	310/400	142/160	158/178	JLATD125/JLATE140

●Note: According to different valve torque, different air supply pressure and different actual working conditions, select the matched actuator, and its relevant dimensions change accordingly.

▼ Attachment selection

Solenoid valve	3/2, 5/2, single electric control and double electric control, please indicate when ordering
Filter pressure reducing valve	Stabilize and filter air source pressure
Limit switch	Remote feedback switch signal
Manual device	Open and close valve manually
Positioner	Input analog signal (4-20mA or 0-10V), adjust valve travel
Remark	The above accessories are not standard accessories, if you need them, please indicate when ordering, solenoid valve and limit switch are divided into explosion-proof type and non-explosion-proof type, please indicate the explosion-proof grade if you need.



▼ ELECTRIC OVERALL DIMENSIONS CHART-PN10 (10bar)

SIZE in	OD Φ	Overall Dimension							Actuator Model
		D1	D2	L	H1	L1	L2	H2	
3/4"	19	16.1	50.5	66	68	165/320	150/220	135/270	JLA05/JLB10
1"	25.4	22.4	50.5	66	68	165/320	150/220	135/270	JLA05/JLB10
1 1/4"	31.8	28.8	50.5	66	68	165/320	150/220	135/270	JLA05/JLB10
1 1/2"	38.1	35.1	50.5	66	72	165/320	150/220	135/270	JLA05/JLB10
1 1/2"	45	42	64	70	74	165/320	150/220	135/270	JLA05/JLB10
2"	50.8	47.8	64	72	79	165/320	150/220	135/270	JLA05/JLB10
2 1/4"	57	53	77	76	83	165/320	150/220	135/270	JLA05/JLB10
2 1/2"	63.5	59.5	77	76	86	165/320	150/220	135/270	JLA05/JLB10
3"	76.2	72.2	91	76	96	165/320	150/220	135/270	JLA05/JLB10
3 1/2"	89	85	106	84	102	190/320	170/220	140/270	JLA10/JLB15
4"	101.6	97.6	119	90	110	190/320	170/220	140/270	JLA10/JLB15
4"	108	104	119	90	112	190/320	170/220	140/270	JLA16/JLB15
4"	114	110	130	106	112	190/320	170/220	140/270	JLA16/JLB15
5"	133	128	145	104	128	190/355	170/250	140/275	JLA16/JLB20
6"	159	153.5	183	110	147	190/355	170/250	140/275	JLA16/JLB20
8"	219	214	233.5	114	183	270/375	220/290	170/315	JLA20/JLB30
10"	273	267	286	142	257	270/375	220/290	170/315	JLA20/JLB30

●Note: According to different valve torque, different voltage and different actual working conditions, select the matched actuator, and its relevant dimensions change accordingly.

▼ Control mode selection

Standard switch type	Active switching quantity control, passive switching quantity feedback
Integral switch type	Passive switching quantity control, passive switching quantity feedback
Integral regulating type	Analog quantity control(4-20mA), Analog quantity feedback(4-20mA)
RS485 Field bus type	Support RS485 communication
Remark	Other type of control signal and feedback signal can be customized according to customers' requirements