

HALF FLUORINE-LINED BUTTERFLY VALVE

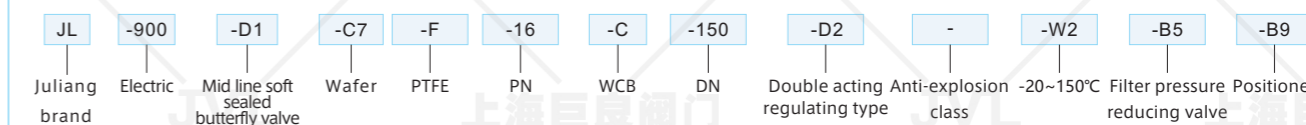


Model: JL900-D1/C7/F/16/C/150/D2/W2/B5/B9

Design Feature

- Full lining inside, strong corrosion resistance, aging resistance, wear resistance
- Dovetail groove structure, uniform perforation of valve parts, strong adhesion, long service life
- Molding, chemical stability, difficult to fall off, anti fouling anti viscosity
- Smooth inwall, low resistance, high CV value, good liquidity, zero leakage
- Compact volume, safety&stability, simple operation, easy installation

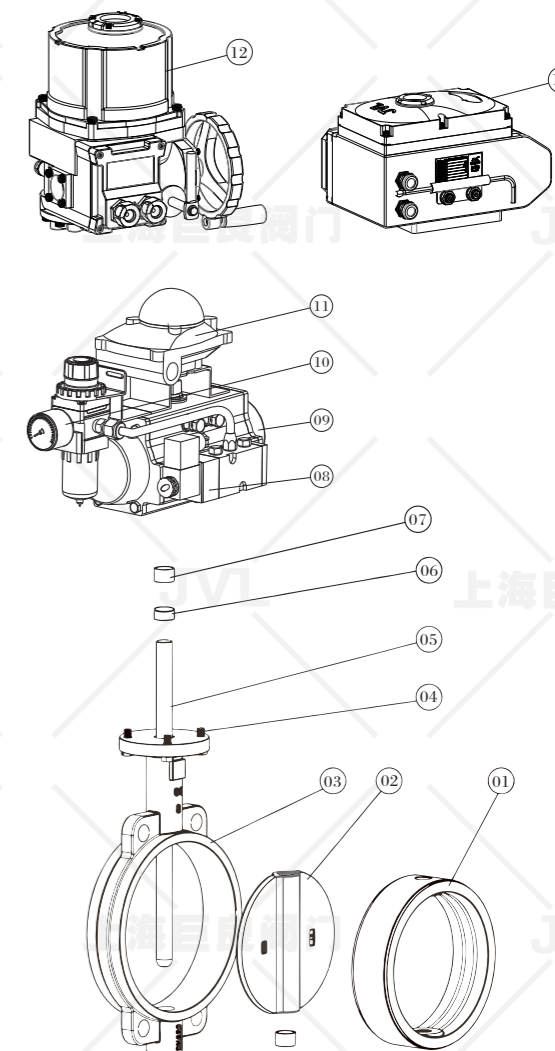
Model Naming Method



Technical Parameter

DN	DN50~500mm(Other size, please indicate when ordering)
Nominal pressure	1.0~1.6Mpa (Other pressure standard, please indicate when ordering)
Body material	Ductile iron(Q), WCB(C), SS304(P)
Sealing material	PTFE(F)
Medium temp.	W1:-20~80°C W2:-20~250°C
Connection mode	Wafer
Pneumatic actuator	JLAT series, JLAW series, Imported actuator series
Action mode	Double acting, Single acting normally closed, Single acting normally open
Electric Actuator	JLA series, JLB series, Imported actuator series
Control mode	Standard switch type, Integral regulating type, Integral switch type, Field bus type

• Notes: Other special sealing materials and special temperature can be selected according to customers' requirements.



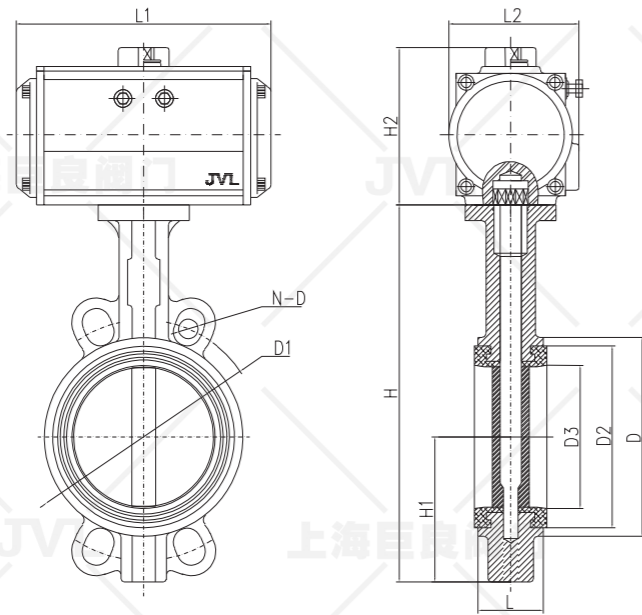
Main component table

No.	Part Name	No.	Part Name
1	Valve seat	12	Anti-explosion electric actuator
2	Disc	13	Electric actuator
3	Valve body		
4	Fixed screw		
5	Stem		
6	Seal ring		
7	Shaft sleeve		
8	Solenoid valve		
9	Pneumatic actuator		
10	Filter pressure reducing valve		
11	Limit switch		

• Note: The materials of main parts and sealing ring can be designed and selected according to the actual working conditions or customers' requirements.

Technical specification

Design consideration	GB		
Design standard	GB/T 12238	Structure length	GB/T 12221
Flange connection	GB/T 9113	Test, Inspection standard	GB/T 13927



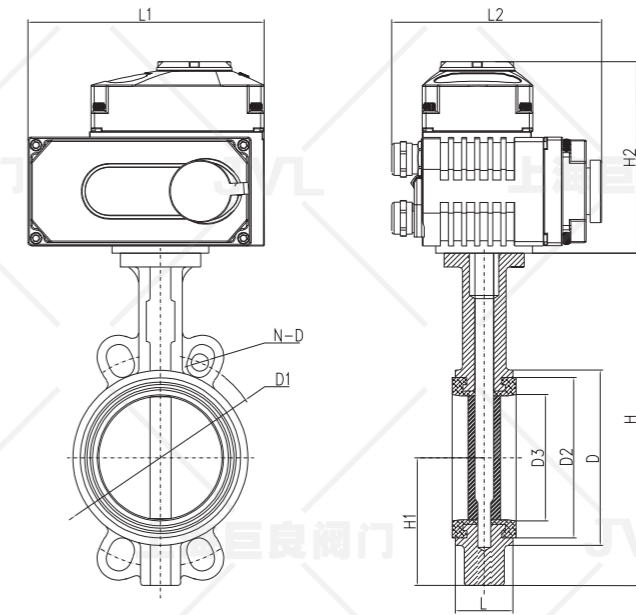
▼ PNEUMATIC OVERALL DIMENSIONS CHART-PN10、16 (10、16bar)

DN	Overall Dimension					Connection Size 1.0/1.6				Actuator Model
	L	H	L1	L2	H2	D	D1	D2	N-D	
40	42	193	172/185	85/95	90/100	101	110	76	4-16	JLATD63/JLATE75
50	42	193	172/185	85/95	90/100	101	125	76	4-16	JLATD63/JLATE75
65	45	212	185/215	95/105	100/110	117	145	89	4-16	JLATD75/JLATE83
80	45	232	215/265	105/110	110/120	127	160	103	8-16	JLATD83/JLATE92
100	52	280	265/270	110/125	120/142	157	180	135	8-16	JLATD92/JLATE105
125	55	302	270/310	125/142	142/158	181	210	159	8-16	JLATD105/JLATE125
150	55	330	310/400	142/160	158/178	214	240	188	8-20	JLATD125/JLATE140
200	60	419	400/465	160/178	178/200	266	295	238	8-20/12-20	JLATD140/JLATE160
250	66	482	465/550	178/210	200/235	318	350/355	292	12-20/12-24	JLATD160/JLATE190
300	76	553	550/550	210/235	235/260	374	400/410	344	12-20/12-24	JLATD190/JLATE210
350	76	635	550/646	235/258	260/325	436	460/470	375	16-20/16-24	JLATD210/JLATE240
400	86	709	646/722	258/292	325/350	488	515/525	439	16-24/16-27	JLATD240/JLATE270
450	105	750	722/782	292/336	350/380	539	565/585	490	20-24/20-27	JLATD270/JLATE300
500	130	840	1630/1955	375/460	326/396	594	620/650	535	20-24/20-30	JLAWD25/JLAW28
600	151	1021	1448/1880	460/545	396/440	693	725/770	653	20-27/20-33	JLAWD28/JLAW35

●Note: According to different valve torque, different air supply pressure and different actual working conditions, select the matched actuator, and its relevant dimensions change accordingly.

▼ Attachment selection

Solenoid valve	3/2, 5/2, single electric control and double electric control, please indicate when ordering
Filter pressure reducing valve	Stabilize and filter air source pressure
Limit switch	Remote feedback switch signal
Manual device	Manual device can open and close valve manually
Positioner	Input analog signal (4-20mA or 0-10V), Adjust valve travel
Remark	The above accessories are not standard accessories, if you need them, please indicate when ordering, solenoid valve and limit switch are divided into explosion-proof type and non-explosion-proof type, if you need explosion-proof type, please indicate the explosion-proof grade.



▼ ELECTRIC OVERALL DIMENSIONS CHART-PN10、16 (10、16bar)

DN	Overall Dimension					Connection Size 1.0/1.6				Actuator Model
	L	H	L1	L2	H2	D	D1	D2	N-D	
40	42	193	165/320	150/220	135/270	101	110	76	4-16	JLA05/JLB10
50	42	193	165/320	150/220	135/270	101	125	76	4-16	JLA05/JLB10
65	45	212	165/320	150/220	135/270	117	145	89	4-16	JLA05/JLB10
80	45	232	165/320	150/220	135/270	127	160	103	8-16	JLA05/JLB10
100	52	280	190/320	170/220	140/270	157	180	135	8-16	JLA10/JLB15
125	55	302	190/355	170/250	140/275	181	210	159	8-16	JLA16/JLB20
150	55	330	190/375	170/290	140/315	214	240	188	8-20	JLAX20/JLB30
200	60	419	270/375	220/290	170/315	266	295	238	8-20/12-20	JLA40/JLB40
250	66	482	270/375	220/210	170/210	318	350/355	292	12-20/12-24	JLA60/JLB50
300	76	553	270/400	220/330	170/360	374	400/410	344	12-20/12-24	JLA100/JLB100
350	76	635	270/400	220/330	170/360	436	460/470	375	16-20/16-24	JLA200/JLB100
400	86	709	400	330	520	488	515/525	439	16-24/16-27	JLB200
450	105	750	400	330	520	539	565/585	490	20-24/20-27	JLB200
500	130	840	400	330	520	594	620/650	535	20-24/20-30	JLB200
600	151	1021	-	-	-	693	725/770	653	20-27/20-33	-

●Note: According to different valve torque, different voltage and different actual working conditions, select the matched actuator, and its relevant dimensions change accordingly.

▼ Control mode selection

Standard switch type	Active switching quantity control, passive switching quantity feedback
Integral switch type	Passive switching quantity control, passive switching quantity feedback
Integral regulating type	Analog quantity control(4-20mA), Analog quantity feedback(4-20mA)
RS485 Field bus type	Support RS485 communication
Remark	Other type of control signal and feedback signal can be customized according to customers' requirements