

POWDER BUTTERFLY VALVE

JVL



Model: JL600-D8/C4/X1/1/L/300/D1/W1/B6

Design Feature

- Economical, lightweight and beautiful, zero leakage
- Flexible opening, stable operation, convenient disassembly & assembly
- Good circulation, small starting torque, energy saving
- Strong compression capacity, bidirectional pressure, small opening and closing torque

Model Naming Method

JL	-600	-D8	-C4	-X1	-1	-L	-300	-D1	-	-W1	-B6	-
Juliang brand	Pneumatic butterfly valve	Power butterfly valve	Flange	NBR	PN	Aluminium alloy	DN	Double action	Anti explosion class	-20~80°C	Limit switch	Attachment selection

Technical Parameter

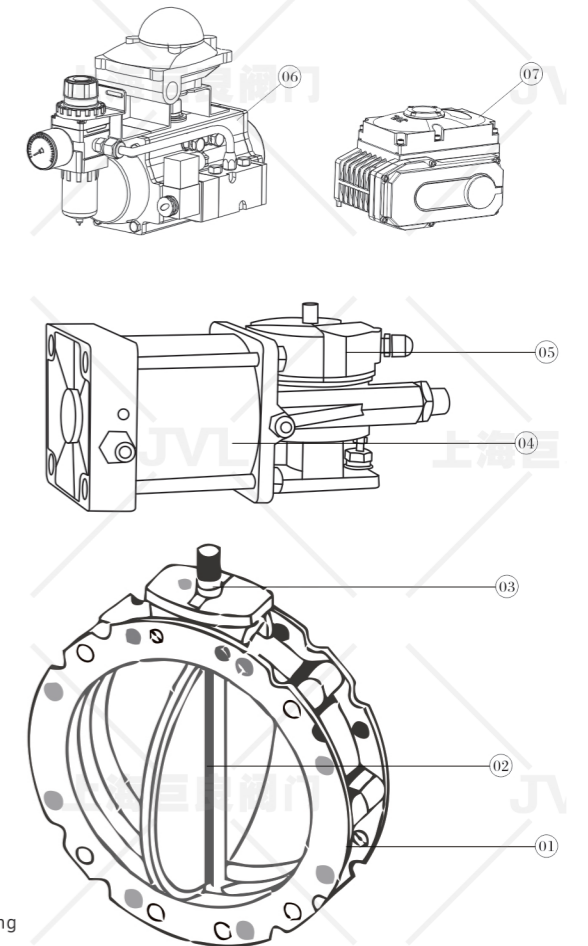
DN	DN100~400mm (Please indicate if need the other DN)
Nominal pressure	0.4Mpa (Please indicate if need the high pressure condition)
Body material	Aluminium alloy
Sealing material	NBR(X1)
Medium temp.	W1:-20~80°C
Connection mode	Single flange, Double flange
Pneumatic actuator	JLAT Series, JLAW Series, Imported actuator series
Action mode	Double acting, Single acting normally closed, Single acting normally open
Electric actuator	JLA series, JLB series, Imported actuator series
Control mode	Standard switch type, Integral regulating type, Integral switch type, Field bus type

• Notes: Other special sealing materials and special temperature can be selected according to customers' requirements.

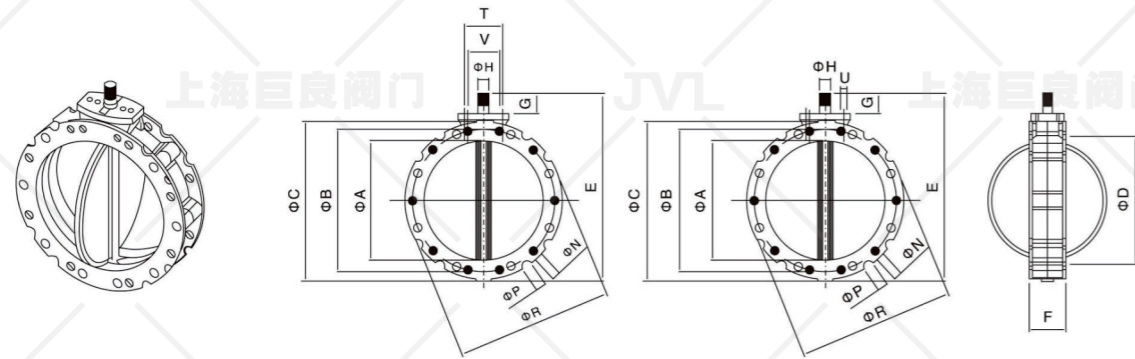
Main component table

No.	Part Name
1	Valve body
2	Disc
3	Stem
4	Actuator
5	Limit switch
6	Pneumatic actuator
7	Electric actuator

• Note: The materials of main parts and sealing ring can be designed and selected according to the actual working conditions or customers' requirements.



JL600F1 DOUBLE FLANGE POWER BUTTERFLY VALVE



OVERALL DIMENSION

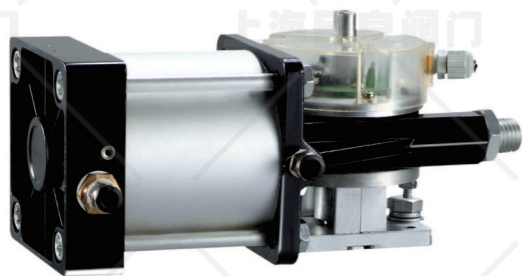
Units: mm

Model	φA	φB	φC	φD	E	F	G	φH	φH xQ'ty	φP Dia.xQ'ty	φR	S	T	U	V	Z	KG
JL600F1-100	95	180	220	-	250	77	35	22x19	14x4	20x4	220	-	80	M12	50	M10	4
JL600F1-150	150	200	228	-	290	77	35	22x19	14x4	20x4	228	-	80	M12	50	M10	5
JL600F1-200	200	250	278	-	340	77	35	22x19	14x4	20x4	278	-	80	M12	50	M10	6.5
JL600F1-250	250	300	328	-	390	77	35	22x19	14x8	20x8	328	-	80	M12	50	M10	7.5
JL600F1-300	300	350	378	-	440	77	35	22x19	14x8	20x16	378	-	80	M12	50	M10	9
JL600F1-350	350	400	440	-	530	85	50	28x25	14x8	20x8	440	-	80	M12	-	-	16
JL600F1-400	400	470	530	-	580	85	50	28x25	14x8	20x16	530	-	80	M12	-	-	20.5

Model	Handle model	Pneumatic model
JL600F1-100	MD4	CP100
JL600F1-150		
JL600F1-200		
JL600F1-250		
JL600F1-300		
JL600F1-350	MD2	CP125
JL600F1-400		

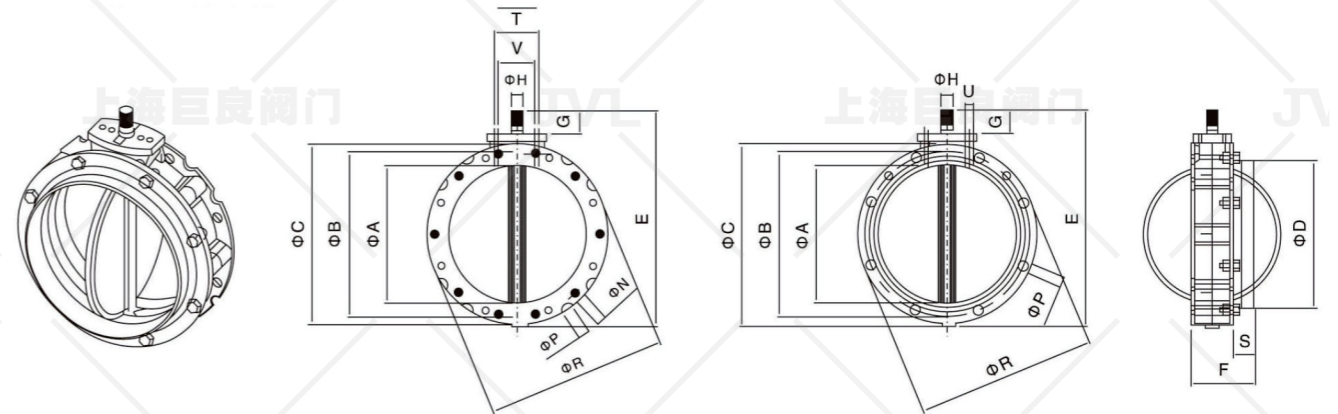
According to the use requirements and working conditions of the powder butterfly valve, we have specially developed a special drive kit, which is divided into two categories: handle drive and cylinder drive.

AIR CYLINDER DRIVE



Accessories of driving cylinder kit

JL600BL1F SINGLE FLANGE POWER BUTTERFLY VALVE



OVERALL DIMENSION

Units: mm

Model	φA	φB	φC	φD	E	F	G	φH	φH xQ'ty	φP Dia.xQ'ty	φR	S	T	U	V	Z	KG
JL600F1-100	95	180	220	105	250	115	35	22x19	14x4	20x4	220	40	80	M12	50	M10	4
JL600F1-150	150	200	228	163	290	115	35	22x19	14x4	20x4	228	40	80	M12	50	M10	5
JL600F1-200	200	250	278	213	340	115	35	22x19	14x4	20x4	278	40	80	M12	50	M10	6.5
JL600F1-250	250	300	328	263	390	115	35	22x19	14x8	20x8	328	40	80	M12	50	M10	7.5
JL600F1-300	300	350	378	313	440	115	35	22x19	14x8	20x16	378	40	80	M12	50	M10	9
JL600F1-350	350	400	440	363	530	123	50	28x25	14x8	20x8	440	40	80	M12	50	M10	16
JL600F1-400	400	470	530	413	580	123	50	28x25	14x8	20x16	530	40	80	M12	50	M10	20.5

DRIVE HANDLE

