



# THREE-ECCENTRIC BUTTERFLY VALVE

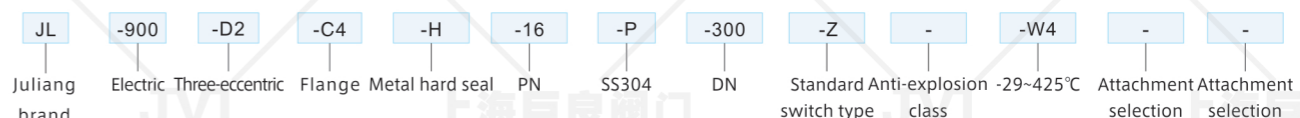


Model: JL900-D2/C4/H/16/P/300/Z/W4

### Design Feature

- Three-dimensional eccentric conical sealing structure, sealing surface compensation function, zero leakage
- High temperature resistance, high pressure resistance, corrosion resistance, wear resistance, ultra long service life
- Bidirectional sealing and pressure bearing, excellent flow performance, excellent flow control characteristics
- Self-cleaning function, fire-resistant structure, fast opening and closing, small torque, energy saving and environmental protection
- Stem flush-proof, anti-lock, safe & reliable, meets API609 standards

### Model Naming Method



### Technical Parameter

DN	DN40~400mm (For other DN, please indicate when ordering)
Nominal pressure	1.0~4.0Mpa (For other pressure standard, please indicate when ordering)
Body material	WCB(C), SS304(P), SS316(R)
Sealing material	PTFE(F), Metal hard seal(H)
Medium temp.	W2:-20~150°C, W4:-29~425°C
Connection mode	Flange, Wafer
Pneumatic actuator	JLAT series, JLAW series, Imported actuator series
Action mode	Double acting, Single acting normally closed, Single acting normally open
Electric actuator	JLA series, JLB series, Imported actuator series
Control mode	Standard switch type, Integral regulating type, Integral switch type, Field bus type

• Note: Other special sealing materials and special temperature can be selected according to customers requirements.

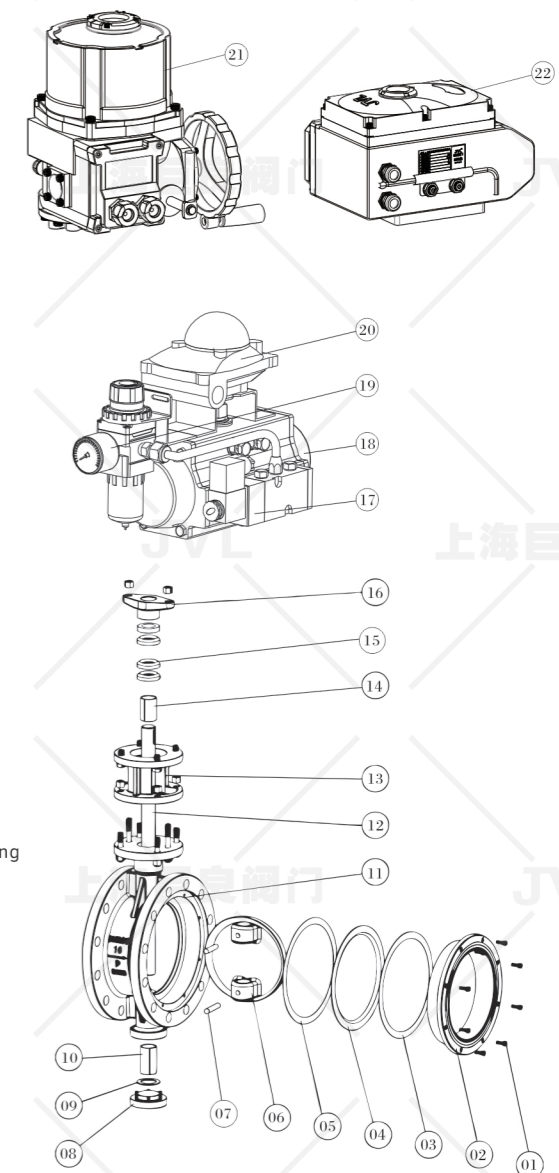
### Main component table

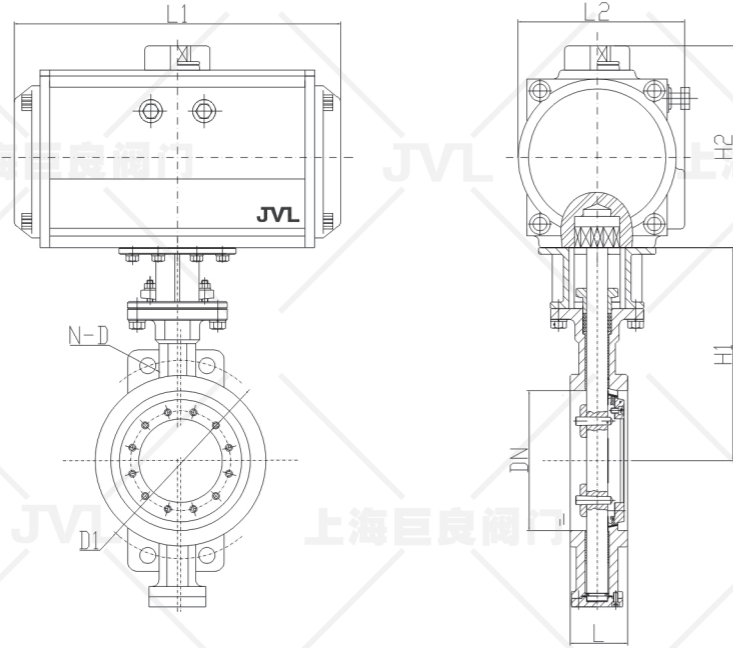
No.	Part Name	No.	Part Name	No.	Part Name
1	Hex socket screw	10	Bush	19	Filter pressure reducing valve
2	Bonnet	11	Valve body	20	Limit switch
3	Washer	12	Stem	21	Anti-explosion electric actuator
4	Valve seat	13	Connecting yoke	22	Electric actuator
5	Washer	14	Bush		
6	Disc	15	Packing		
7	Cylindrical pin	16	Gland		
8	Lower cover	17	Solenoid valve		
9	Washer	18	Pneumatic actuator		

• Note: The materials of main parts and sealing ring can be designed and selected according to the actual working conditions or customers' requirements.

### Technical specification

Design consideration	GB
Design standard	JB/T 8527
Structure length	GB 12221
Flange connection	GB/T 9113
Test, Inspection standard	GB/T 13927





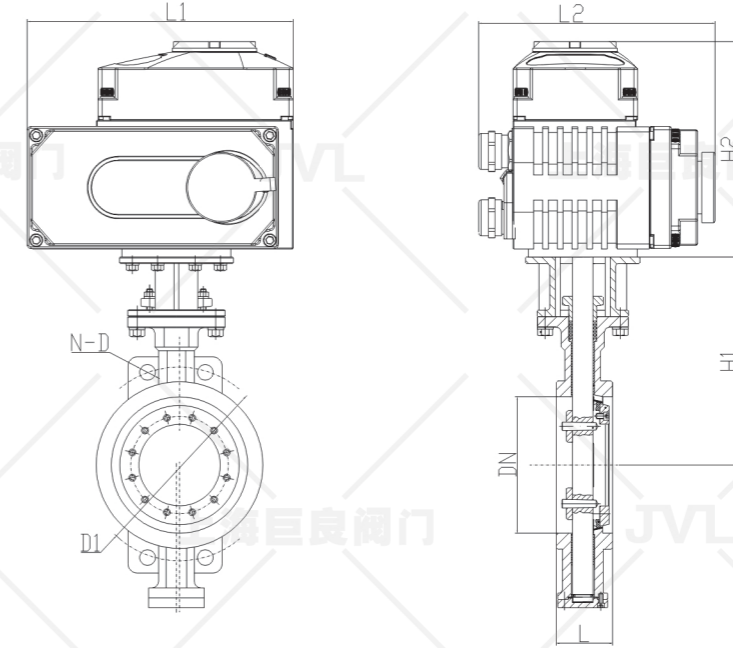
▼ PNEUMATIC OVERALL DIMENSIONS CHART-PN10、16(10、16bar)

DN	Overall Dimension				Connection Size 1.0/1.6		Actuator Model
	L	L1	L2	H2	D1	N-D	
50	43	185/215	95/105	100/110	125	4-18	JLATD75/JLATE83
65	46	215/265	105/110	110/120	145	8-18	JLATD83/JLATE92
80	49	265/270	110/125	120/142	160	8-18	JLATD92/JLATE105
100	56	270/310	125/142	142/158	180	8-18	JLATD105/JLATE125
125	64	310/400	142/160	158/178	210	8-18	JLATD125/JLATE140
150	70	400/465	160/178	178/200	240	8-22	JLATD140/JLATE160
200	71	465/550	178/210	200/235	295	8-22/12-22	JLATD160/JLATE190
250	76	550/550	210/235	235/260	350/355	12-22/12-26	JLATD190/JLATE210
300	83	550/646	235/258	260/325	400/410	12-22/12-26	JLATD210/JLATE240
350	92	646/722	258/292	325/350	460/470	16-22/16-26	JLATD240/JLATE270
400	102	646/722	258/292	325/350	515/525	16-26/16-30	JLATD240/JLATE270

●Note: According to different valve torque, different air supply pressure and different actual working conditions, select the matched actuator, and its relevant dimensions change accordingly.

▼ Attachment selection

Solenoid valve	3/2, 5/2, single electric control and double electric control, please indicate when ordering
Filter pressure reducing valve	Stabilize and filter air source pressure
Limit switch	Remote feedback switch signal
Manual device	Open and close valve manually
Positioner	Input analog signal (4-20mA or 0-10V),adjust valve travel
Remark	The above accessories are not standard accessories, if you need them, please indicate when ordering, solenoid valve and limit switch are divided into explosion-proof type and non-explosion-proof type, please indicate the explosion-proof grade if you need.



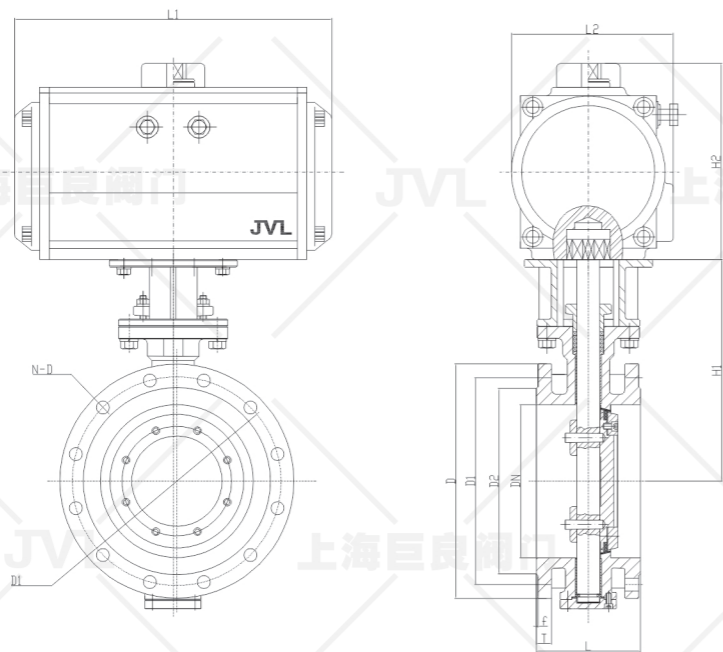
▼ ELECTRIC OVERALL DIMENSIONS CHART-PN10、16(10、16bar)

DN	Overall Dimension				Connection Size 1.0/1.6		Actuator Model
	L	L1	L2	H2	D1	N-D	
50	43	190/320	170/220	140/270	125/125	4-18/4-18	JLA10/JLB10
65	46	190/320	170/220	140/270	145/145	8-18/8-18	JLA10/JLB10
80	49	190/320	170/220	140/270	160/160	8-18/8-18	JLA16/JLB10
100	56	190/355	170/250	140/315	180/180	8-18/8-18	JLAX20/JLB20
125	64	270/375	220/290	170/315	210/210	8-18/8-18	JLA20/JLB30
150	70	270/375	220/290	170/315	240/240	8-22/8-22	JLA40/JLB40
200	71	270/375	220/290	170/315	295/295	8-22/12-22	JLA60/JLB60
250	76	270/400	220/330	170/360	350/355	12-22/12-26	JLA100/JLB100
300	83	270/400	220/330	170/360	400/410	12-22/12-26	JLA200/JLB100
350	92	270/400	220/330	170/520	460/470	16-22/16-26	JLA200/JLB200
400	102	400	330	520	515/525	16-26/16-30	JLB200

●Note: According to different valve torque, different voltage and different actual working conditions, select the matched actuator, and its relevant dimensions change accordingly.

▼ Control mode selection

Standard switch type	Active switching quantity control, passive switching quantity feedback
Integral switch type	Passive switching quantity control, passive switching quantity feedback
Integral regulating type	Analog quantity control(4-20mA), Analog quantity feedback(4-20mA)
RS485 Field bus type	Support RS485 communication
Remark	Other type of control signal and feedback signal can be customized according to customers' requirements



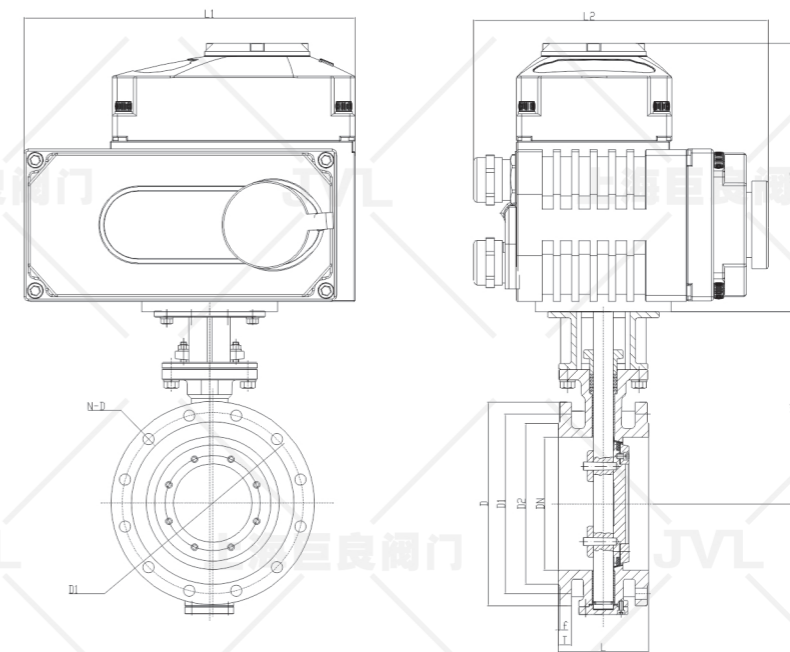
▼ PNEUMATIC OVERALL DIMENSIONS CHART-PN10、16 ( 10、16bar )

DN	Overall Dimension				Connection Size 1.0/1.6						Actuator Model
	L	L1	L2	H2	D	D1	D2	T	f	N-D	
50	108	185/215	95/105	100/110	165	125	102	18	3	4-18	JLATD75/JLATE83
65	112	215/265	105/110	110/120	185	145	122	18	3	8-18	JLATD83/JLATE92
80	114	265/270	110/125	120/142	200	160	138	20	3	8-18	JLATD92/JLATE105
100	127	270/310	125/142	142/158	220	180	158	20	3	8-18	JLATD105/JLATE125
125	140	310/400	142/160	158/178	250	210	188	22	3	8-18	JLATD125/JLATE140
150	140	400/465	160/178	178/200	285	240	212	22	3	8-22	JLATD140/JLATE160
200	152	465/585	178/210	200/235	340	295	268	24	3	8-22/12-22	JLATD160/JLATE190
250	165	550/585	210/235	235/260	395/405	350/355	320	26	3	12-22/12-26	JLATD190/JLATE210
300	178	550/646	235/258	260/325	445/460	400/410	378	28	4	12-22/12-26	JLATD210/JLATE240
350	190	646/722	258/292	325/350	505/520	460/470	438	30	4	16-22/16-26	JLATD240/JLATE270
400	216	646/722	258/292	325/350	565/580	515/525	490	32	4	16-26/16-30	JLATD240/JLATE270
450	222	722/782	292/336	350/380	615/640	565/585	550	40	4	20-26/20-30	JLATD270/JLATE300
500	229	1630/1955	375/460	326/396	670/715	620/650	610	44	4	20-26/20-33	JLAWD25/JLAW28
600	267	1955/2520	460/545	396/440	780/840	725/770	725	54	5	20-30/20-36	JLAWD28/JLAW25

●Note: According to different valve torque, different air supply pressure and different actual working conditions, select the matched actuator, and its relevant dimensions change accordingly.

▼ Attachment selection

Solenoid valve	3/2, 5/2, single electric control and double electric control, please indicate when ordering
Filter pressure reducing valve	Stabilize and filter air source pressure
Limit switch	Remote feedback switch signal
Manual device	Open and close valve manually
Positioner	Input analog signal (4-20mA or 0-10V), adjust valve travel
Remark	The above accessories are not standard accessories, if you need them, please indicate when ordering, solenoid valve and limit switch are divided into explosion-proof type and non-explosion-proof type, please indicate the explosion-proof grade if you need.



▼ ELECTRIC OVERALL DIMENSIONS CHART-PN10、16 ( 10、16bar )

DN	Overall Dimension				Connection Size 1.0/1.6						Actuator Model
	L	L1	L2	H2	D	D1	D2	T	f	N-D	
50	108	190/320	170/220	140/270	165	125	102	18	3	4-18	JLA10/JLB10
65	112	190/320	170/220	140/270	185	145	122	18	3	8-18	JLA10/JLB10
80	114	190/320	170/220	140/270	200	160	138	20	3	8-18	JLA16/JLB10
100	127	190/355	170/250	140/275	220	180	158	20	3	8-18	JLAX20/JLB20
125	140	270/375	220/290	170/315	250	210	188	22	3	8-18	JLA20/JLB30
150	140	270/375	220/290	170/315	285	240	212	22	3	8-22	JLA40/JLB40
200	152	270/400	220/330	170/360	340	295	268	24	3	8-22/12-22	JLA60/JLB60
250	165	270/400	220/330	170/360	395/405	350/355	320	26	3	12-22/12-26	JLA100/JLB100
300	178	270/400	220/330	170/360	445/460	400/410	378	28	4	12-22/12-26	JLA200/JLB100
350	190	400	330	520	505/520	460/470	438	30	4	16-22/16-26	JLB200
400	216	400	330	520	565/580	515/525	490	32	4	16-26/16-30	JLB200
450	222	400	330	520	615/640	565/585	550	40	4	20-26/20-30	JLB200
500	229	400	330	520	670/715	620/650	610	44	4	20-26/20-33	JLB200
600	267	-	-	-	780/840	725/770	725	54	5	20-30/20-36	-

●Note: According to different valve torque, different voltage and different actual working conditions, select the matched actuator, and its relevant dimensions change accordingly.

▼ Control mode selection

Standard switch type	Active switching quantity control, passive switching quantity feedback
Integral switch type	Passive switching quantity control, passive switching quantity feedback
Integral regulating type	Analog quantity control(4-20mA), Analog quantity feedback(4-20mA)
RS485 Field bus type	Support RS485 communication
Remark	Other type of control signal and feedback signal can be customized according to customers' requirements