



Model: JL600-D5/C4/W/1/P/800/E2/B/W5/B3/B7

Design Feature

- Safe & reliable, economical & practical, large circulation, avoid high temperature expansion
- Bidirectional flow, ultra high temperature resistance, easy operation, and ultra long service life
- Compact structure, light weight, small flow resistance, and any installation
- Widely used in chemical, building materials, power stations, glass and other industries in the ventilation, environmental protection engineering gas pipeline

Model Naming Method

JL	-600	-D5	-C4	-W	-1	-P	-800	-E2	-B	-W5	-B3	-B7
Juliang brand	Pneumatic Ventilation butterfly valve	Flange	Baffle ring	PN	SS304	DN	Single acting normally closed regulating type	Exd II BT4	-29~650°C	3/2 anti explosion solenoid valve	Anti explosion limit switch	

Technical Parameter

DN	DN100~2200mm(For other DN,please indicate when ordering)
Nominal pressure	0.1~0.6Mpa(For other pressure standard,please indicate when ordering)
Body material	WCB(C),SS304 (P), SS316 (R)
Sealing material	Baffle ring (W)
Medium temp.	W3:-20~250°C,W4:-29~425°C,W5:-29~650°C
Connection mode	Flange,Wafer
Pneumatic actuator	JLAT series,JLAW series,Imported actuator series
Action mode	Double acting,Single acting normally closed,Single acting normally open
Electric actuator	JLA series,JLB series,Imported actuator series
Control mode	Standard switch type,Integral regulating type, Integral switch type, Field bus type

•Notes:Other special sealing materials and special temperature can be selected according to customers' requirements.

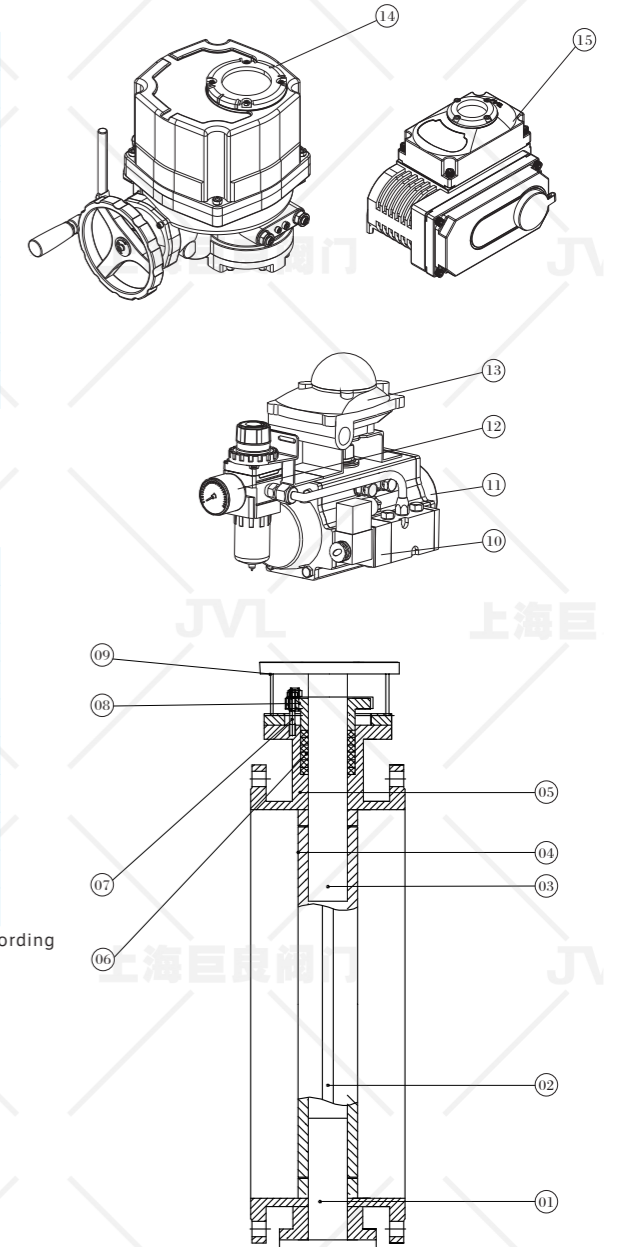
Main component table

No.	Part Name	No.	Part Name
1	Lower valve shaft	10	Solenoid valve
2	Disc	11	Pneumatic actuator
3	Upper valve shaft	12	Filter pressure reducing valve
4	Pin shaft	13	Limit switch
5	Valve body	14	Anti explosion electric actuator
6	Packing	15	Electric actuator
7	Bolt and Nut		
8	Packing gland		
9	Bracket		

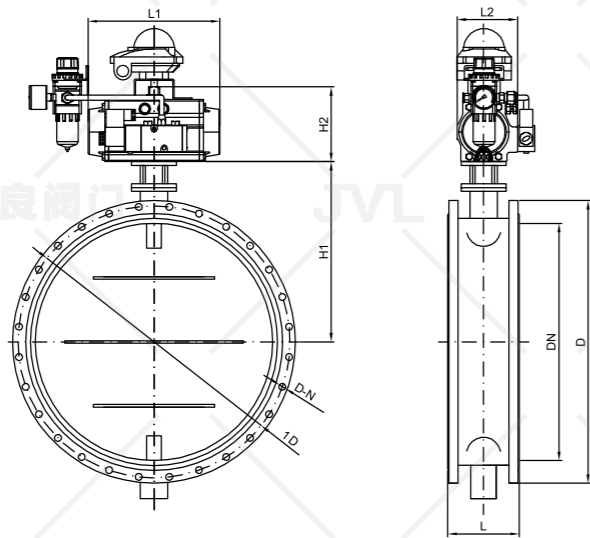
•Note: The materials of main parts and sealing ring can be designed and selected according to the actual working conditions or customers' requirements.

Technical specification

Design reference	GB
Design standard	GB/T 12238
Structure length	GB/T 12221
Flange connection	GB/T 9115.1
Test & Inspection standard	GB/T 13927



VENTILATION BUTTERFLY VALVE



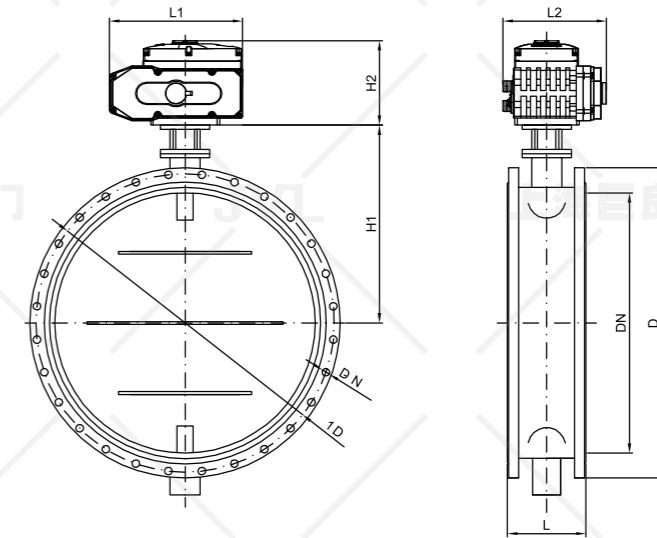
▼ PNEUMATIC OVERALL DIMENSIONS CHART-PN1.0/2.5 (1.0/2.5bar)

DN	Overall Dimension & Connection Dimension								Actuator Model
	L	L1	L2	H1	H2	D	D1	N-D	
65	112	172/185	85/95	282	90/100	160	130	4-14	JLATD63/JLATE75
80	114	172/185	85/95	313	90/100	190	150	4-18	JLATD63/JLATE75
100	127	172/185	85/95	380	90/100	210	170	4-18	JLATD63/JLATE75
125	140	185/215	95/105	396	100/110	240	200	8-18	JLATD75/JLATE83
150	140	185/215	95/105	409	100/110	265	225	8-18	JLATD75/JLATE83
200	152	215/265	105/110	619	110/120	320	280	8-18	JLATD83/JLATE92
250	165	265/270	110/125	649	120/142	375	335	12-18	JLATD92/JLATE105
300	180	270/310	125/142	681	142/158	440	395	12-22	JLATD105/JLATE125
350	180	270/310	125/142	709	142/158	490	445	12-22	JLATD105/JLATE125
400	200	310/400	142/160	733	158/178	540	495	16-22	JLATD125/JLATE140
450	200	310/400	142/160	761	158/178	595	550	16-22	JLATD125/JLATE140
500	220	400/465	160/178	789	178/200	645	600	20-22	JLATD140/JLATE160
600	220	465/550	178/210	856	200/235	755	705	20-26	JLATD160/JLATE190
700	240	465/550	178/210	908	200/235	860	810	24-26	JLATD160/JLATE190
800	240	550/550	210/235	965	235/260	975	920	24-30	JLATD190/JLATE210
900	260	550/550	210/235	1051	235/260	1075	1020	24-30	JLATD190/JLATE210
1000	260	550/646	235/258	1102	260/325	1175	1120	28-30	JLATD210/JLATE240
1200	280	646/722	258/292	1236	325/350	1375	1320	32-30	JLATD240/JLATE270
1400	300	722/782	292/336	1888	350/380	1575	1520	36-30	JLATD270/JLATE300
1600	320	722/782	292/336	1915	350/380	1790	1730	40-30	JLATD270/JLATE300
1800	340	-	-	2025	-	1990	1930	44-30	-
2000	360	-	-	2125	-	2190	2130	48-30	-

●Note: According to different valve torque, different air supply pressure and different actual working conditions, select the matched actuator, and its relevant dimensions change accordingly.

▼ Attachment selection

Solenoid valve	3/2, 5/2, single electric control and double electric control, please indicate when ordering
Filter pressure reducing valve	Stabilize and filter air source pressure
Limit switch	Remote feedback switch signal
Manual device	Open and close valve manually
Positioner	Input analog signal (4-20mA or 0-10V),adjust valve travel
Remark	The above accessories are not standard accessories, if you need them, please indicate when ordering, solenoid valve and limit switch are divided into explosion-proof type and non-explosion-proof type, please indicate the explosion-proof grade if you need.



▼ ELECTRIC OVERALL DIMENSIONS CHART-PN1.0/2.5 (1.0/2.5bar)

DN	Overall Dimension & Connection Dimension								Actuator Model
	L	L1	L2	H1	H2	D	D1	N-D	
65	112	165/320	150/220	282	135/270	160	130	4-14	JLA05/JLB10
80	114	165/320	150/220	313	135/270	190	150	4-18	JLA05/JLB10
100	127	165/320	150/220	380	135/270	210	170	4-18	JLA05/JLB10
125	140	165/320	150/220	396	135/270	240	200	8-18	JLA05/JLB10
150	140	165/320	150/220	409	135/270	265	225	8-18	JLA05/JLB10
200	152	165/320	150/220	619	135/270	320	280	8-18	JLA05/JLB10
250	165	190/355	170/250	649	140/275	375	335	12-18	JLA10/JLB20
300	180	190/355	170/250	681	140/275	440	395	12-22	JLA10/JLB20
350	180	190/375	170/290	709	140/315	490	445	12-22	JLA16/JLB30
400	200	270/375	220/290	733	170/315	540	495	16-22	JLA20/JLB30
450	200	270/375	220/290	761	170/315	595	550	16-22	JLA20/JLB30
500	220	270/375	220/290	789	170/315	645	600	20-22	JLA20/JLB30
600	220	270/375	220/290	856	170/315	755	705	20-26	JLA40/JLB50
700	240	270/375	220/290	908	170/315	860	810	24-26	JLA60/JLB50
800	240	270/400	220/330	965	170/360	975	920	24-30	JLA60/JLB100
900	260	270/400	220/330	1051	170/360	1075	1020	24-30	JLA100/JLB100
1000	260	270/400	220/330	1102	170/360	1175	1120	28-30	JLA200/JLB100
1200	280	400	330	1236	520	1375	1320	32-30	JLB200
1400	300	400	330	1888	520	1575	1520	36-30	JLB200
1600	320	400	330	1915	520	1790	1730	40-30	JLB200
1800	340	-	-	2025	-	1990	1930	44-30	-
2000	360	-	-	2125	-	2190	2130	48-30	-

●Note: According to different valve torque, different voltage and different actual working conditions, select the matched actuator, and its relevant dimensions change accordingly.

▼ Control mode selection

Standard switch type	Active switching quantity control, passive switching quantity feedback
Integral switch type	Passive switching quantity control, passive switching quantity feedback
Integral regulating type	Analog quantity control(4-20mA), Analog quantity feedback(4-20mA)
RS485 Field bus type	Support RS485 communication
Remark	Other type of control signal and feedback signal can be customized according to customers' requirements