

PNEUMATIC ANGLE SEAT VALVE

JVL

Model: JL2002-J3/C4/F/16/P/100/E1/W2/B1

Design Feature

- Y type design, good liquidity, small flow resistance, waterproof hammer
- Quick response, good sealing, 360° rotation, visual window
- Energy saving & environmental protection, self-cleaning function, safety & reliability, ultra long service life
- Suitable for important occasions such as food grade filling, disinfection and sterilization, pharmaceutical and medical equipment



Model Naming Method

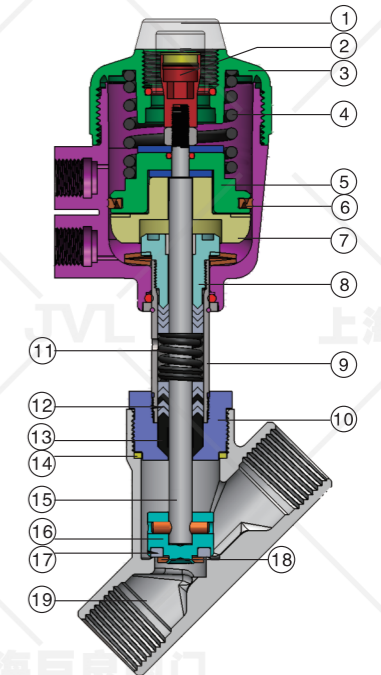
JL	-2002	-J3	-C4	-F	-16	-P	-100	-E1	-	-W2	-B1	-
Juliang brand	Stainless steel actuator angle seat valve	Angle seat valve	Flange	PTFE	PN	SS304	DN	Single acting normally closed	Anti explosion class	-20~150°C	3/2 Solenoid valve selection	Attachment

Technical Parameter

DN	DN10~100mm
Nominal pressure	1.0~1.6Mpa (Please indicate if need the high pressure condition)
Body material	SS304(P), SS316(R)
Sealing material	PTFE (F), PPL (PPL)
Medium temp.	W1:-20~80°C W2:-20~150°C (Please indicate if need the high pressure condition)
Environment temp.	ST type:-20~80°C
Connection mode	Female thread, Flange, Welding, Clamp
Air source pressure	Double acting, Single acting: 4~8 bar
Cylinder selection	Plastic actuator (2001), Stainless steel actuator (2002)
Cylinder type	Double acting, Single acting (spring reset)
Control mode	Switch type, Regulating type

Working principle

In the non-working state, due to the spring force, the valve is normally closed (open). When the actuator piston is acted on by compressed gas, the valve opens (closes). The double acting mode relies on compressed gas to control the valve opening and closing.

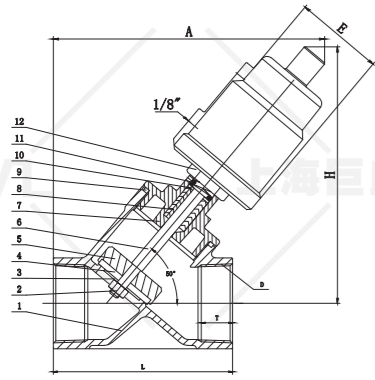


Main component table

No.	Part Name	No.	Part Name
1	Window	11	Spring
2	Indicator	12	Sealing components
3	Upper Bonnet	13	Guide bushing
4	Spring	14	Sealing gasket
5	Piston	15	Piston rod
6	Seal ring	16	Valve core
7	Limiter	17	Sealing gasket
8	Screw sleeve	18	Stainless steel ring
9	Connecting pipe	19	Valve body
10	Bonnet		

Attachment selection

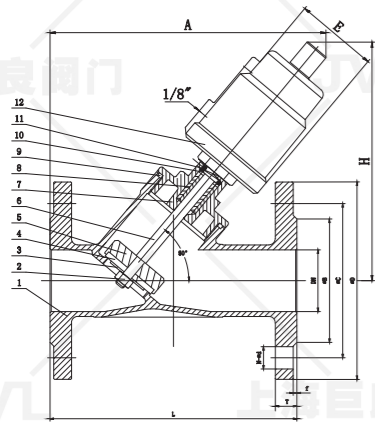
Solenoid valve	3/2, 5/2, single electric control and double electric control, please indicate when ordering
Limit switch	Remote feedback switch signal
Positioner	Input analog signal (4-20mA or 0-10V), adjust valve travel
Remark	The above accessories are not standard accessories, if you need them, please indicate when ordering, solenoid valve and limit switch are divided into explosion-proof type and non-explosion-proof type, please indicate the explosion-proof grade if you need.



Thread mode

Main overall dimensions (Thread)

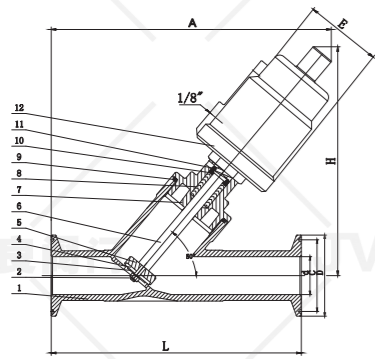
DN	L	T	D	A	H	E	Actuator
15	68	12	1/2	130	128	60	φ 50
20	75	14	3/4	140	133	60	φ 50
25	90	18	1	150	140	60	φ 50
	90	18	1	170	165	75	φ 63
32	110	18	1 1/4	180	175	75	φ 63
	115	18	1 1/2	190	178	75	φ 63
40	115	18	1 1/2	210	200	95	φ 80
	135	20	2	200	190	75	φ 63
50	135	20	2	220	210	95	φ 80
	182	24	2 1/2	260	230	95	φ 80
65	182	24	2 1/2	300	300	116	φ 100
	205	28	3	335	320	116	φ 100



Flange mode

Main overall dimensions (Flange)

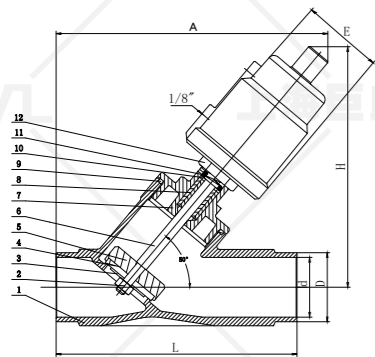
DN	L	T	f	D	C	B	N-φd	A	H	E	Actuator
15	120	14	2	95	65	40	4-φ14	185	145	62	φ 50
20	130	14	2	105	75	50	4-φ14	188	155	62	φ 50
25	140	14	2	115	85	60	4-φ14	208	165	62	φ 50
32	150	16	2	135	100	70	4-φ18	225	195	76	φ 63
40	180	16	2	145	110	80	4-φ18	240	205	76	φ 63
50	195	16	2	160	125	92	4-φ18	265	228	76	φ 63
65	230	18	2	185	145	115	4-φ18	290	264	96	φ 80
80	250	18	2	195	160	130	8-φ18	330	300	114	φ 100
100	280	18	2	215	180	150	8-φ18	350	320	114	φ 100



Clamp mode

Main overall dimensions (Clamp)

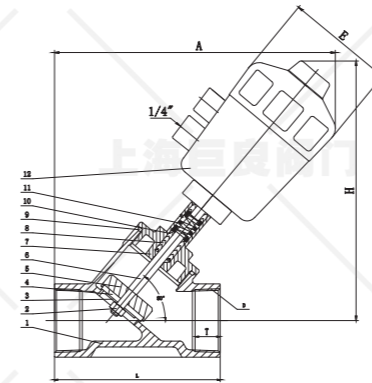
DN	L	d	C	D	A	H	E	Actuator
15	120	15	21	50.5	160	120	62	φ 50
20	140	20	25	50.5	165	130	62	φ 50
25	160	25	33	50.5	185	160	62	φ 50
32	175	35	40	50.5	220	195	76	φ 63
40	190	38	44	50.5	230	245	76	φ 63
50	210	48	56	64.0	280	285	76	φ 63
65	225	68	77	91.0	360	370	96	φ 80



Weld mode

Main overall dimensions (Weld)

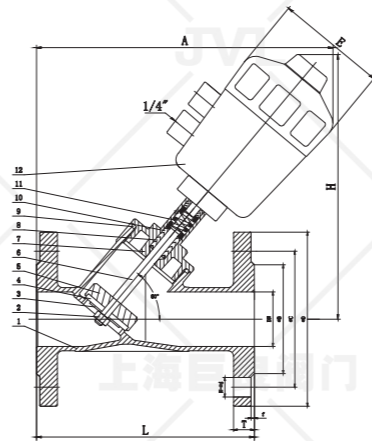
DN	L	D	d	A	H	E	Actuator
15	100	19.5	15.5	155	120	62	φ 50
20	120	26.5	21.5	160	130	62	φ 50
25	140	32.5	28.5	185	160	62	φ 50
32	155	38.5	33	215	195	76	φ 63
40	170	52	46	225	245	76	φ 63
50	190	64	57	300	295	96	φ 80
65	200	77	68	320	350	96	φ 80
80	220	92	82	350	385	114	φ 100



Thread mode

Main overall dimensions (Thread)

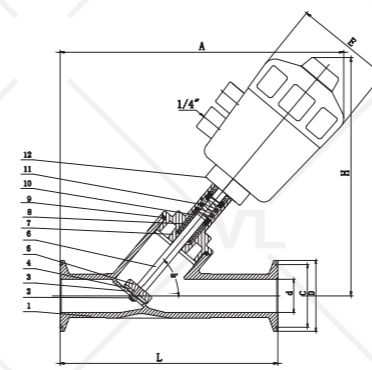
DN	L	T	D	A	H	E	Actuator
15	85	14	1/2	180	140	65	φ 50
20	95	14	3/4	185	145	65	φ 50
25	100	18	1	190	155	65	φ 50
	100	18	1	220	185	80	φ 63
32	116	18	1 1/4	230	188	80	φ 63
	130	18	1 1/2	235	195	80	φ 63
40	130	18	1 1/2	228	215	100	φ 80
	145	20	2	250	205	80	φ 63
50	145	20	2	268	225	100	φ 80
	182	24	2 1/2	285	260	100	φ 80
65	182	24	2 1/2	325	320	126	φ 100
	205	28	3	335	330	126	φ 100



Flange mode

Main overall dimensions (Flange)

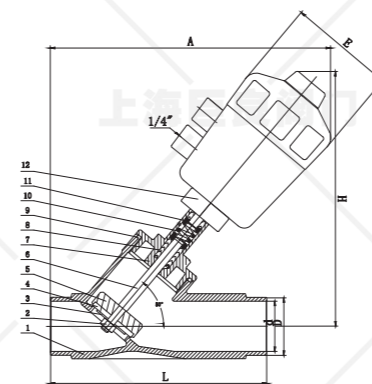
DN	L	T	f	D	C	B	N-φd	A	H	E	Actuator
15	120	14	2	95	65	40	4-φ14	180	137	64	φ 50
20	130	14	2	105	75	50	4-φ14	185	145	64	φ 50
25	140	14	2	115	85	60	4-φ14	220	185	80	φ 63
32	150	16	2	135	100	70	4-φ18	240	210	80	φ 63
40	180	16	2	145	110	80	4-φ18	245	260	80	φ 63
50	195	16	2	160	125	92	4-φ18	265	280	100	φ 80
65	230	18	2	185	145	115	4-φ18	280	300	100	φ 80
80	250	18	2	195	160	130	8-φ18	320	330	126	φ 100
100	280	18	2	215	180	150	8-φ18	360	350	156	φ 125



Clamp mode

Main overall dimensions (Clamp)

DN	L	d	C	D	A	H	E	Actuator
15	120	15	21	50.5	180	137	64	φ 50
20	140	20	25	50.5	185	145	64	φ 50
25	160	25	33	50.5	220	183	80	φ 50
32	175	35	40	50.5	240	210	80	φ 63
40	190	38	44	50.5	250	260	80	φ 63
50	210	48	56	64.0	320	300	100	φ 63
65	225	68	77	91.0	380	375	100	φ 80



Weld mode

Main overall dimensions (Weld)

DN	L	D	d	A	H	E	Actuator
15	100	19.5	15.5	175	137	64	φ 50
20	120	26.5	21.5	180	145	64	φ 50
25	140	32.5	28.5	215	185	80	φ 63
32	155	38.5	33	235	210	80	φ 63
40	170	52	46	245	260	80	φ 63
50	190	64	57	325	300	100	φ 80
65	200	77	68	355	340	100	φ 80
80	220	92	82	400	385	126	φ 100