

# FULLY-LINED FLUORINE BALL VALVE

JVL



Model: JL600-Q10/C4/F46/16/C/50/D1/W2/B1/B6

## Design Feature

- Fully lined inside, strong corrosion resistance, aging resistance, wear resistance
- Dovetail groove structure, uniform perforation of valve parts, strong adhesion, long service life
- Molding, chemical stability, difficult to fall off, anti fouling anti viscosity
- Smooth inwall, low resistance, high CV value, good liquidity, zero leakage
- Compact volume, light weight, safety&stability, simple operation, easy installation

## Model Naming Method

JL	-600	-Q10	-C4	-F46	-16	-C	-50	-D1	-	-W2	-B1	-B6
Juliang brand	Pneumatic	Fully lined Fluorine ball valve	Flange	FEP	PN	WCB	DN	Double acting	Anti explosion class	-20~150°C	3/2 solenoid valve	Limit switch valve

## Technical Parameter

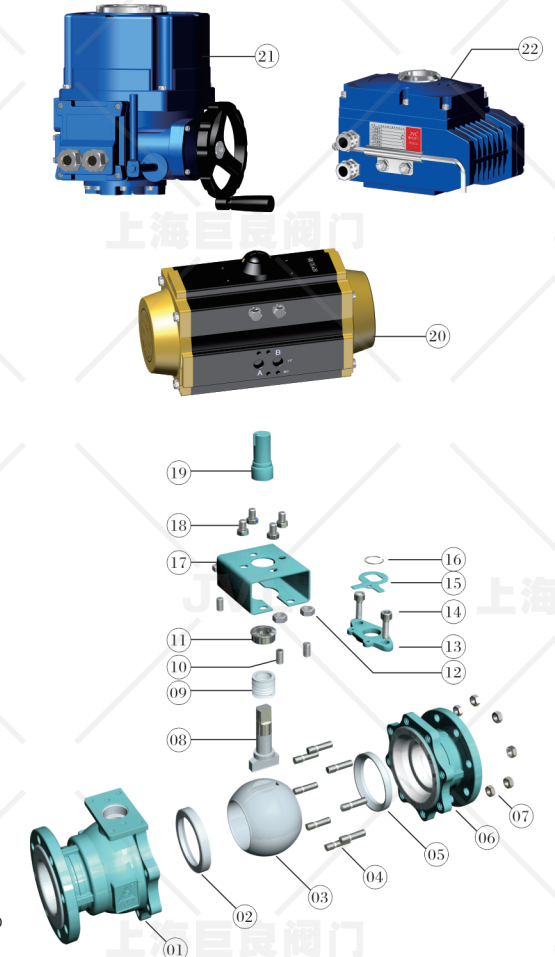
DN	DN15~200mm
Nominal pressure	1.0~1.6Mpa (other pressure standard, please indicate when ordering)
Body material	WCB(C), SS304(P), SS316(R)
Sealing material	PTFE (F)
Lining material	FEP(F46), PFA(PFA)
Medium temp.	W2: -20~150°C W7: -20~180°C
Connection mode	Flange
Pneumatic actuator	JLAT series, JLAW series, Imported actuator series
Action mode	Double acting, Single acting normally closed, Single acting normally open
Electric Actuator	JLA series, JLB series, Imported actuator series
Control mode	Standard switch type, Integral regulating type, Integral switch type, Field bus type

• Note: Other special sealing materials and special temperature can be selected according to customers' requirements.

## Main component table

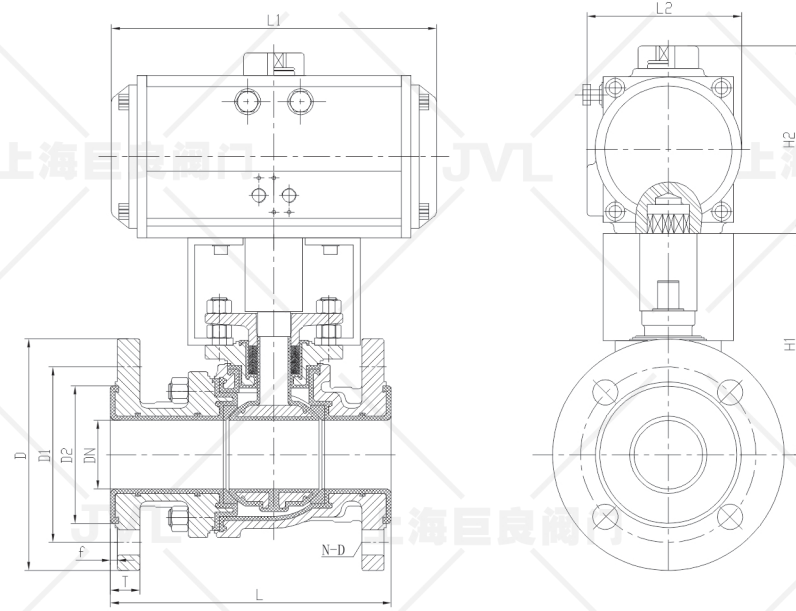
No.	Part Name	No.	Part Name	No.	Part Name
1	Main Body	10	Stud bolt	19	Connection sleeve
2	Valve seat	11	Pressing sleeve	20	Pneumatic actuator
3	Ball	12	Nut	21	Anti-explosion electric actuator
4	Stud bolt	13	Packing plate	22	Electric actuator
5	Valve seat	14	Pressing plate bolt		
6	Bonnet	15	Locating plate		
7	Nut	16	Circlip for shaft		
8	Stem	17	Bracket		
9	Packing	18	Bolt		

• Note: The materials of main parts and sealing ring can be designed and selected according to the actual working conditions or customers' requirements.



## Technical specification

Design consideration	GB		API	
	Design standard	GB/T 12237	HG/T 3704	API 608
Design length	GB/T 12221	HG/T 3704	ASME B16.10	
Flange standard	GB/T 9113.1	GB/T 17241.6	ASME B16.5	
Test, Inspection standard	JB/T 9092, Electric spark test		API 598, Electric spark test	



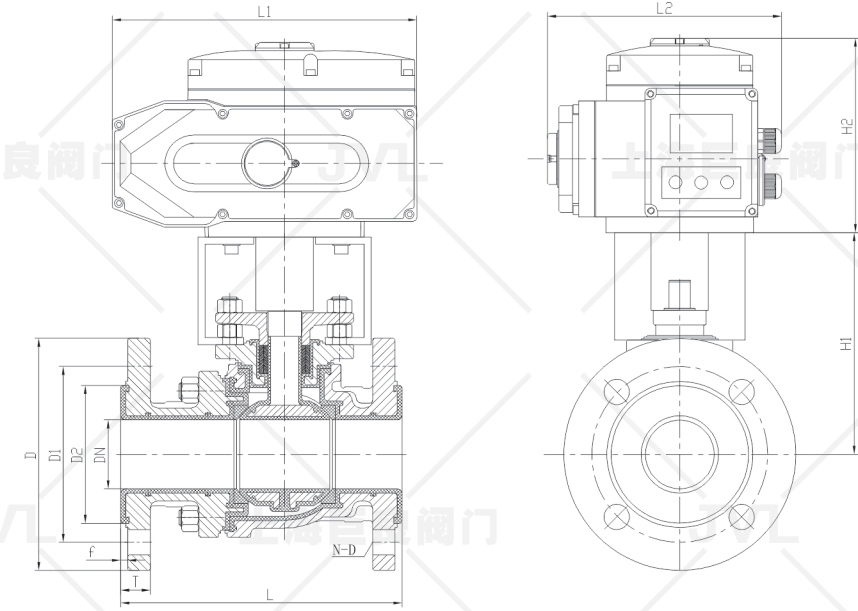
▼ PNEUMATIC OVERALL DIMENSIONS CHART-PN16(16bar)

DN	OVERALL DIMENSION					CONNECTION DIMENSION						Actuator Model
	L	L1	L2	H1	H2	D	D1	D2	T	f	N-D	
15	140	159/172	73/85	88	73/90	95	65	45	16	2	4-14	JLATD52/JLATE63
20	140	172/215	85/105	93	90/110	105	75	58	16	2	4-14	JLATD63/JLATE83
25	150	185/215	95/105	100	100/110	115	85	68	18	2	4-14	JLATD75/JLATE83
32	165	185/265	95/110	120	100/120	140	100	78	18	2	4-18	JLATD75/JLATE92
40	180	265/270	110/125	126	120/142	150	110	88	18	2	4-18	JLATD92/JLATE105
50	200	270/310	125/142	135	142/158	165	125	102	18	2	4-18	JLATD105/JLATE125
65	220	310/400	142/160	170	158/178	185	145	122	18	2	8-18	JLATD125/JLATE140
80	250	310/400	142/160	185	158/178	200	160	138	20	2	8-18	JLATD125/JLATE140
100	280	400/465	160/178	215	178/200	220	180	158	20	2	8-18	JLATD140/JLATE160
125	320	465/550	178/210	225	200/235	250	210	188	22	2	8-18	JLATD160/JLATE190
150	360	550/646	235/258	230	260/325	285	240	212	22	2	8-22	JLATD210/JLATE240
200	457	646/722	258/292	260	325/352	340	295	268	24	2	12-22	JLATD240/JLATE270

●Note: According to different valve torque, different air supply pressure and different actual working conditions, select the matched actuator, and its relevant dimensions change accordingly.

▼ Attachment selection

Solenoid valve	3/2, 5/2, single electric control and double electric control, please indicate when ordering
Filter pressure reducing valve	Stabilize and filter air source pressure
Limit switch	Remote feedback switch signal
Manual device	Open and close valve manually
Positioner	Input analog signal (4-20mA or 0-10V), adjust valve travel
Remark	The above accessories are not standard accessories, if you need them, please indicate when ordering, solenoid valve and limit switch are divided into explosion-proof type and non-explosion-proof type, please indicate the explosion-proof grade if you need.



▼ ELECTRIC OVERALL DIMENSIONS CHART-PN16(16bar)

DN	OVERALL DIMENSION					CONNECTION DIMENSION						Actuator Model
	L	L1	L2	H1	H2	D	D1	D2	T	f	n-d	
15	140	165/320	150/220	88	135/270	95	65	45	16	2	4-14	JLA05/JLB10
20	140	165/320	150/220	93	135/270	105	75	58	16	2	4-14	JLA05/JLB10
25	150	165/320	150/220	100	135/270	115	85	68	18	2	4-14	JLA05/JLB10
32	165	165/320	150/220	120	135/270	140	100	78	18	2	4-18	JLA05/JLB10
40	180	190/320	170/220	126	140/270	150	110	88	18	2	4-18	JLA10/JLB15
50	200	190/320	170/220	135	140/270	165	125	102	18	2	4-18	JLA16/JLB15
65	220	270/355	220/250	170	170/275	185	145	122	18	2	8-18	JLA20/JLB20
80	250	270/375	220/290	185	170/315	200	160	138	20	2	8-18	JLA20/JLB30
100	280	270/375	220/290	215	170/315	220	180	158	20	2	8-18	JLA40/JLB40
125	320	270/375	220/290	225	170/315	250	210	188	22	2	8-18	JLA100/JLB50
150	360	270/400	220/330	230	170/360	285	240	212	22	2	8-22	JLA200/JLB100
200	457	400	330	260	520	340	295	268	24	2	12-22	JLB200

●Note: According to different valve torque, different voltage and different actual working conditions, select the matched actuator, and its relevant dimensions change accordingly.

▼ Control mode selection

Standard switch type	Active switching quantity control, passive switching quantity feedback
Integral switch type	Passive switching quantity control, passive switching quantity feedback
Integral regulating type	Analog quantity control(4-20mA), Analog quantity feedback(4-20mA)
RS485 Field bus type	Support RS485 communication
Remark	Other type of control signal and feedback signal can be customized according to customers' requirements