



FULLY FLUORINE-LINED BUTTERFLY VALVE



Model: JL600-D6/C4/F46/16/P/200/E1/B/W2/B4/B7

Design Feature

- Full lining inside, strong corrosion resistance, aging resistance, wear resistance
- Dovetail groove structure, uniform perforation of valve parts, strong adhesion, long service life
- Molding, chemical stability, difficult to fall off, anti fouling anti viscosity
- Smooth inwall, low resistance, high CV value, good liquidity, zero leakage
- Compact volume, safety&stability, simple operation, easy installation

Model Naming Method

JL	-600	-D6	-C4	-F46	-16	-P	-200	-E1	-B	-W2	-B4	-B7
Juliang brand	Pneumatic butterfly valve	Fully fluorine-lined valve	Flange	Fully-lined FEP	PN	SS304	DN	Single acting normally closed	Exd II BT4	-20~150°C	5/2 Anti-explosion solenoid valve	Anti-explosion limit switch

Technical Parameter

DN	DN40~600mm(Other size, please indicate when ordering)
Nominal pressure	1.0-1.6Mpa (Other pressure standard, please indicate when ordering)
Body material	Ductile iron(Q), WCB(C), SS304(P)
Sealing material	PTFE(F)
Medium temp.	W2:-20~150°C
Lined material	Teflon FEP(F46), PFA
Connection mode	Flange, Wafer
Pneumatic actuator	JLAT series, JLAW series, Imported actuator series
Action mode	Double acting, Single acting normally closed, Single acting normally open
Electric actuator	JLA series, JLB series, Imported actuator series
Control mode	Standard switch type, Integral regulating type, Integral switch type, Field bus type

• Notes: Other special sealing materials and special temperature can be selected according to customers' requirements.

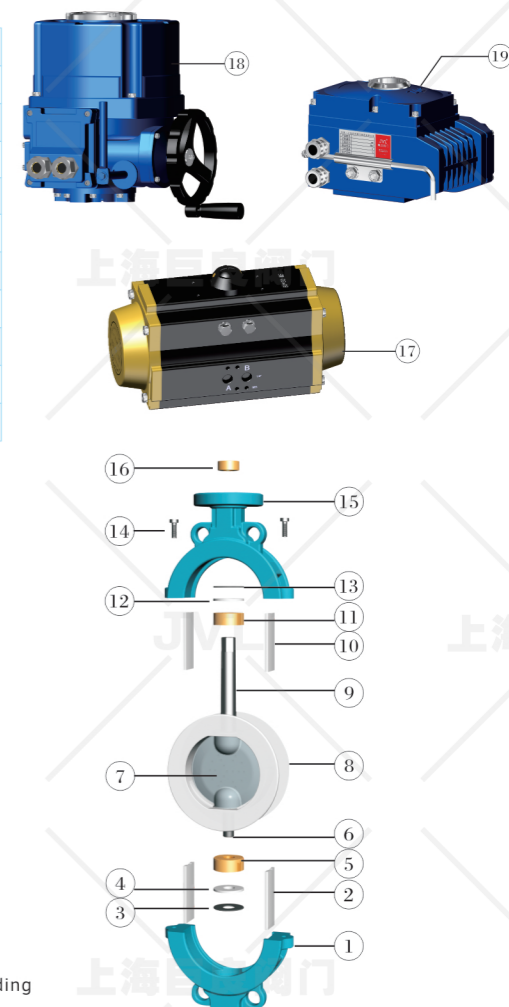
Main component table

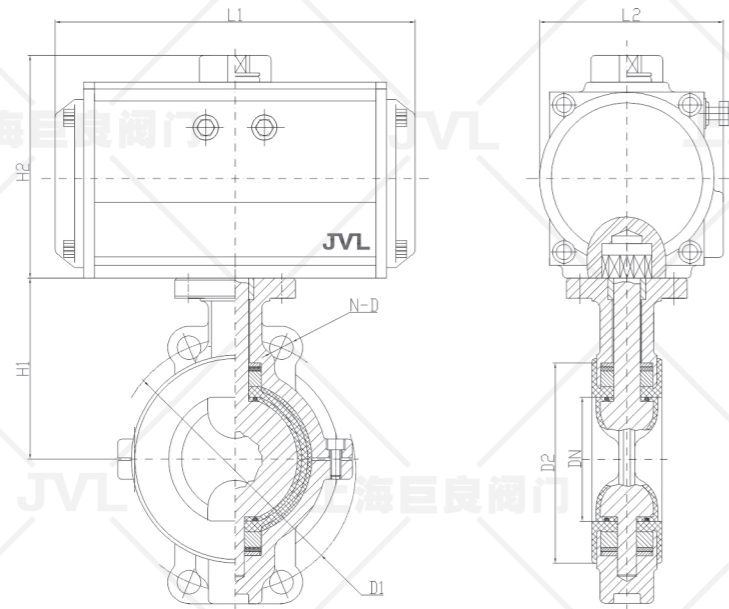
No.	Part Name	No.	Part Name
1	Lower valve body	11	Upper shaft sleeve
2	Silicone rubber elastic strip	12	Silicone rubber washer
3	Metal flat washer	13	Metal flat washer
4	Silicone rubber washer	14	Hexagon socket screw
5	Lower shaft sleeve	15	Upper valve body
6	Lower stem	16	Shaft sleeve
7	Disc	17	Pneumatic actuator
8	Valve seat	18	Anti-explosion electric actuator
9	Upper stem	19	Electric actuator
10	Silicone rubber washer		

• Note: The materials of main parts and sealing ring can be designed and selected according to the actual working conditions or customers' requirements.

Technical specification

Design consideration	GB		API
Design standard	GB/T 12238	HG/T 3704	API 609
Structure length	GB/T 12221		API 609
Flange standard	GB/T 9113	HG/T 20592	AMSE B16.5 20592
Test, Inspection standard	GB/T 13927 Electric spark test		API 598 Electric spark test





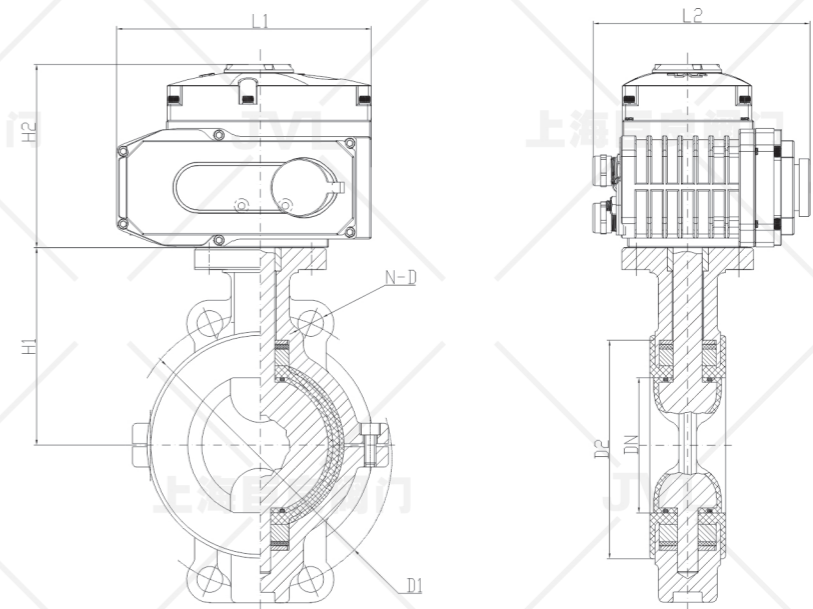
▼ PNEUMATIC OVERALL DIMENSIONS CHART-PN16 (16bar)

DN	Overall Dimension					Connection Size 1.6			Actuator Model
	L	L1	L2	H1	H2	D1	D2	N-D	
40	43	215	105	172	110	110	88	4-18	JLATD83/JLATE83
50	43	215	105	172	110	125	102	4-18	JLATD83/JLATE83
65	46	215	105	185	110	145	122	8-18	JLATD83/JLATE83
80	46	215/265	105/110	215	110/120	160	138	8-18	JLATD83/JLATE92
100	52	265/270	110/125	265	120/142	180	158	8-18	JLATD92/JLATE105
125	56	270/310	125/142	270	142/158	210	188	8-18	JLATD105/JLATE125
150	56	310/400	142/160	310	158/178	240	212	8-22	JLATD125/JLATE140
200	60	400/465	160/178	400	178/200	295	242	12-22	JLATD140/JLATE160
250	68	465/550	178/210	465	200/235	355	268	12-26	JLATD160/JLATE190
300	78	550/550	210/235	550	235/260	410	295	12-26	JLATD190/JLATE210
350	78	550/646	235/258	550	260/325	470	320	16-26	JLATD210/JLATE240

●Note: According to different valve torque, different air supply pressure and different actual working conditions, select the matched actuator, and its relevant dimensions change accordingly.

▼ Attachment selection

Solenoid valve	3/2, 5/2, single electric control and double electric control, please indicate when ordering
Filter pressure reducing valve	Stabilize and filter air source pressure
Limit switch	Remote feedback switch signal
Manual device	Open and close valve manually
Positioner	Input analog signal (4-20mA or 0-10V), adjust valve travel
Remark	The above accessories are not standard accessories, if you need them, please indicate when ordering, solenoid valve and limit switch are divided into explosion-proof type and non-explosion-proof type, please indicate the explosion-proof grade if you need.



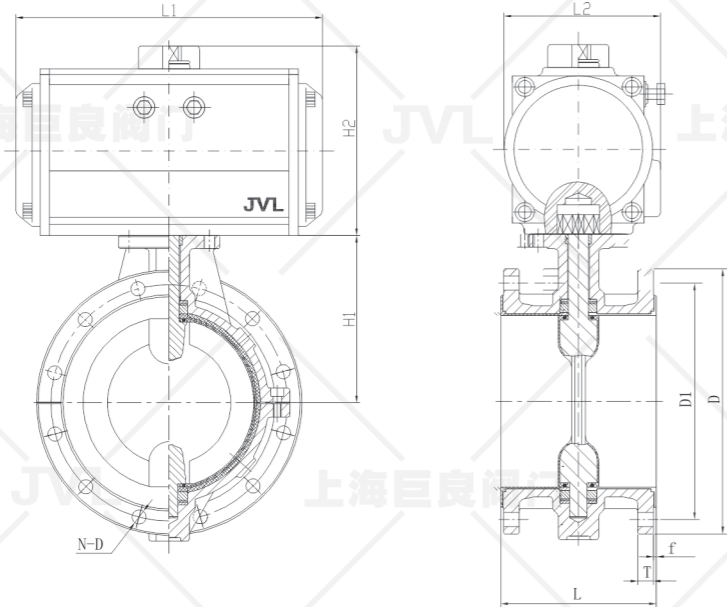
▼ ELECTRIC OVERALL DIMENSIONS CHART-PN16 (16bar)

DN	Overall Dimension					Connection Size 1.6			Actuator Model
	L	L1	L2	H1	H2	D1	D2	N-D	
40	43	165/320	150/220	172	135/270	110	88	4-18	JLA05/JLB10
50	43	165/320	150/220	172	135/270	125	102	4-18	JLA05/JLB10
65	46	190/320	150/220	185	135/270	145	122	8-18	JLA05/JLB10
80	46	190/320	170/220	215	140/270	160	138	8-18	JLA10/JLB15
100	52	190/355	170/250	265	140/275	180	158	8-18	JLA16/JLB20
125	56	270/375	220/290	270	170/315	210	188	8-18	JLA20/JLB30
150	56	270/375	220/290	310	170/315	240	212	8-22	JLA20/JLB40
200	60	270/375	220/290	400	170/315	295	242	12-22	JLA40/JLB50
250	68	270/400	220/330	465	170/360	355	268	12-26	JLA60/JLB80
300	78	270/400	220/330	550	170/360	410	295	12-26	JLA200/JLB100
350	78	400	330	550	520	470	320	16-26	JLB200

●Note: According to different valve torque, different voltage and different actual working conditions, select the matched actuator, and its relevant dimensions change accordingly.

▼ Control mode selection

Standard switch type	Active switching quantity control, passive switching quantity feedback
Integral switch type	Passive switching quantity control, passive switching quantity feedback
Integral regulating type	Analog quantity control(4-20mA), Analog quantity feedback(4-20mA)
RS485 Field bus type	Support RS485 communication
Remark	Other type of control signal and feedback signal can be customized according to customers' requirements



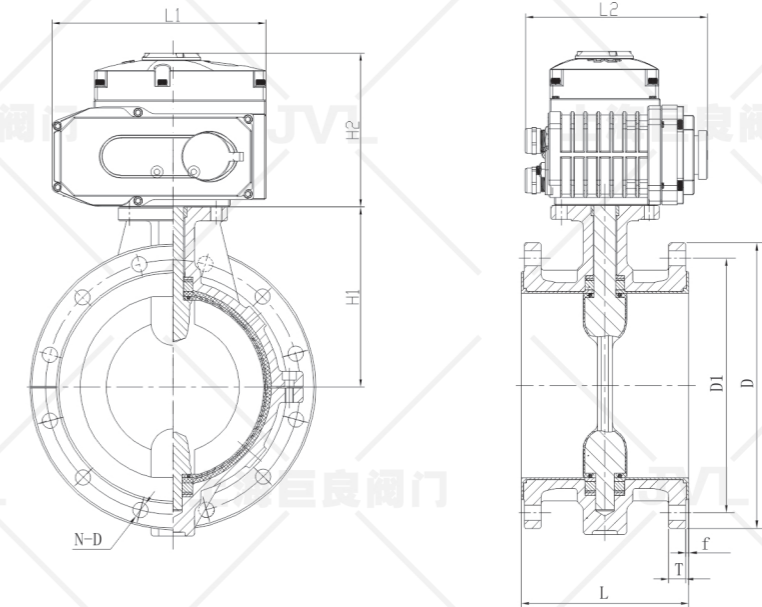
▼ PNEUMATIC OVERALL DIMENSIONS CHART-PN16 (16bar)

DN	Overall Dimension					Connection Size 1.6			Actuator Model
	L	L1	L2	H1	H2	D	D1	N-D	
40	106	215	105	165	110	150	110	4-18	JLATD83/JLATE83
50	108	215	105	165	110	165	125	4-18	JLATD83/JLATE83
65	112	215	105	175	110	185	145	8-18	JLATD83/JLATE83
80	114	215/265	105/110	195	110/120	200	160	8-18	JLATD83/JLATE92
100	127	265/270	110/125	210	120/142	220	180	8-18	JLATD92/JLATE105
125	140	270/310	125/142	235	142/158	250	210	8-18	JLATD105/JLATE125
150	140	310/400	142/160	260	158/178	285	240	8-22	JLATD125/JLATE140
200	152	400/465	160/178	310	178/200	340	295	12-22	JLATD140/JLATE160
250	165	465/550	178/210	360	200/235	405	355	12-26	JLATD160/JLATE190
300	178	550/550	210/235	395	235/260	460	410	12-26	JLATD190/JLATE210
350	190	550/646	235/258	420	260/325	520	470	16-26	JLATD210/JLATE240

●Note: According to different valve torque, different air supply pressure and different actual working conditions, select the matched actuator, and its relevant dimensions change accordingly.

▼ Attachment selection

Solenoid valve	3/2, 5/2, single electric control and double electric control, please indicate when ordering
Filter pressure reducing valve	Stabilize and filter air source pressure
Limit switch	Remote feedback switch signal
Manual device	Open and close valve manually
Positioner	Input analog signal (4-20mA or 0-10V),adjust valve travel
Remark	The above accessories are not standard accessories, if you need them, please indicate when ordering, solenoid valve and limit switch are divided into explosion-proof type and non-explosion-proof type, please indicate the explosion-proof grade if you need.



▼ ELECTRIC OVERALL DIMENSIONS CHART-PN16 (16bar)

DN	Overall Dimension					Connection Size 1.6			Actuator Model
	L	L1	L2	H1	H2	D	D1	N-D	
40	106	165/320	150/220	165	135/270	150	110	4-18	JLA05/JLB10
50	108	165/320	150/220	165	135/270	165	125	4-18	JLA05/JLB10
65	112	190/320	150/220	175	135/270	185	145	8-18	JLA05/JLB10
80	114	190/320	170/220	195	140/270	200	160	8-18	JLA10/JLB15
100	127	190/355	170/250	210	140/275	220	180	8-18	JLA16/JLB20
125	140	270/375	220/290	235	170/315	250	210	8-18	JLA20/JLB30
150	140	270/375	220/290	260	170/315	285	240	8-22	JLA20/JLB40
200	152	270/375	220/290	310	170/315	340	295	12-22	JLA40/JLB50
250	165	270/400	220/330	360	170/360	405	355	12-26	JLA60/JLB80
300	178	270/400	220/330	395	170/360	460	410	12-26	JLA200/JLB100
350	190	400	330	420	520	520	470	16-26	JLB200

●Note: According to different valve torque, different voltage and different actual working conditions, select the matched actuator, and its relevant dimensions change accordingly.

▼ Control mode selection

Standard switch type	Active switching quantity control, passive switching quantity feedback
Integral switch type	Passive switching quantity control, passive switching quantity feedback
Integral regulating type	Analog quantity control(4-20mA), Analog quantity feedback(4-20mA)
RS485 Field bus type	Support RS485 communication
Remark	Other type of control signal and feedback signal can be customized according to customers' requirements