



SANITARY DEGREE BALL VALVE



Model: JL900-Q7/C8/F/10/P/32/D1/W2/B1/B6

Design Feature

- Inner wall polished, unimpeded, clean and sanitary, no dead angle easy to clean
- Small torque ON/Off, quick response, high machining accuracy, long service life
- Quick disassembly and assembly, not easy to deform, corrosion resistance, zero leakage
- Smooth, seamless and self-emptying features make it meet the special needs of food, pharmaceutical and other fields

Model Naming Method

JL	-900	-Q7	-C8	-F	-10	-P	-32	-D1	-	-W2	-B1	-B6
Juliang brand	Electric	Sanitary class ball valve	Clamp	PTFE	PN	SS304	DN	Double acting	Anti-explosion class	-20~150℃	3/2 solenoid valve	Limit switch

Technical Parameter

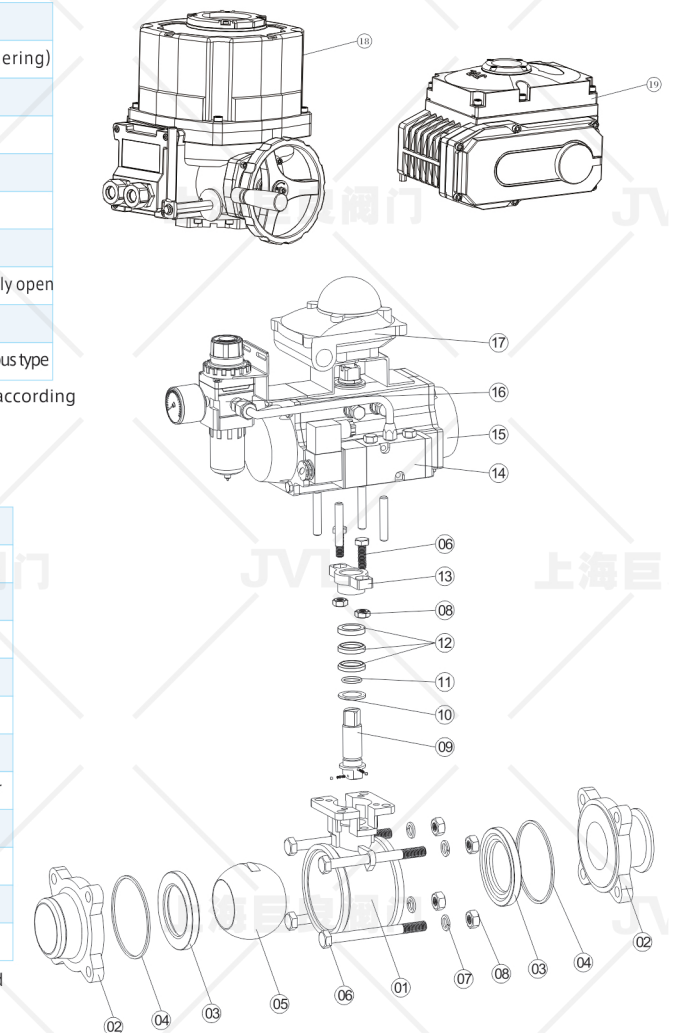
DN	DN20~100mm
Nominal pressure	1.0Mpa (other pressure standard, please indicate when ordering)
Body material	SS304(P), SS316(R)
Sealing material	PTFE (F)
Medium temp.	W2:-20~150℃
Connection mode	Clamp
Pneumatic actuator	JLAT series, JLAW series, Imported actuator series
Action mode	Double acting, Single acting normally closed, Single acting normally open
Electric actuator	JLA series, JLB series, Imported actuator series
Control mode	Standard switch type, Integral regulating type, Integral switch type, Field bus type

• Note: Other special sealing materials and special temperature can be selected according to customers' requirements.

Main component table

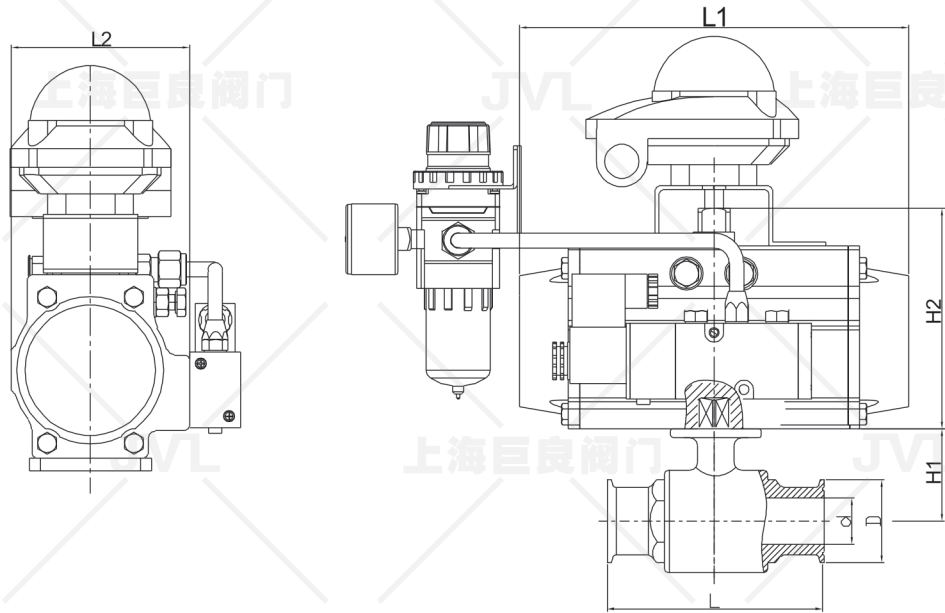
No.	Part Name	No.	Part Name
1	Valve body	12	Packing
2	Bonnet	13	Gland
3	Valve seat	14	Solenoid valve
4	Sealing gasket	15	Pneumatic actuator
5	Ball	16	Filter pressure reducing valve
6	Bolt	17	Limit switch
7	Spring washer	18	Anti-explosion electric actuator
8	Nut	19	Electric actuator
9	Stem		
10	Thrust washer		
11	O type ring		

• Note: The materials of main parts and sealing ring can be designed and selected according to the actual working conditions or customers' requirements.



Technical specification

Design consideration	GB		
Design standard	GB/T 12237	Wall thickness	GB/T 26640
Clamp standard	ISO 2852	Test, Inspection standard	GB/T 13927



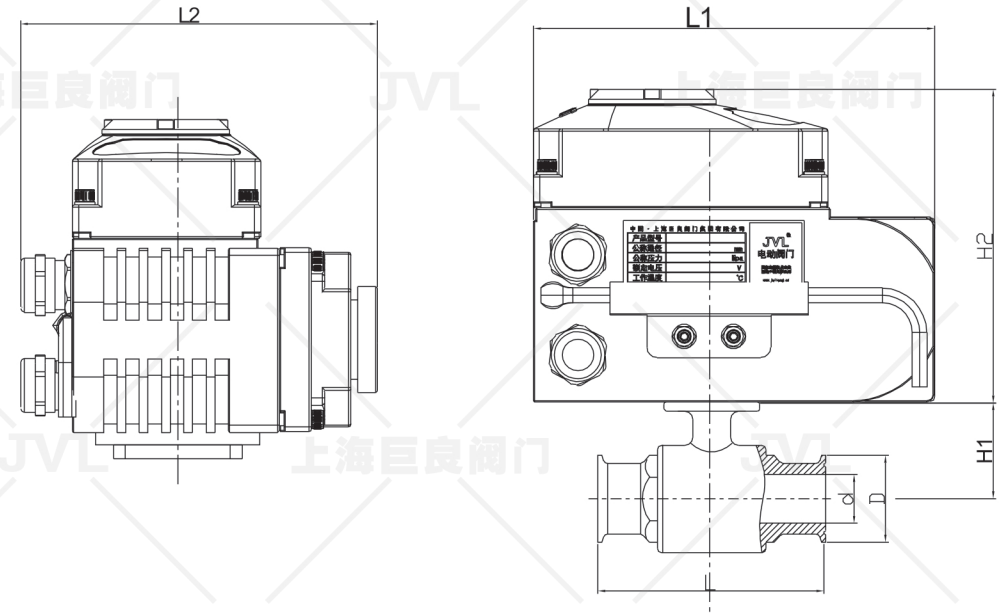
▼ PNEUMATIC OVERALL DIMENSIONS CHART-PN10 (10bar)

Spec. in	OD ϕ	Overall Dimension							Actuator Model
		d	D	L	L1	L2	H1	H2	
3/4"	19	16	50.5	100	159/172	73/85	70	73/90	JLATD52/JLATE63
1"	25.4	22	50.5	105	172/172	85/85	70	90/90	JLATD63/JLATE63
1 1/4"	31.8	29	50.5	120	172/185	85/95	70	90/100	JLATD63/JLATE75
1 1/2"	38.1	35	50.5	137	185/215	95/105	70	100/110	JLATD75/JLATE83
2"	50.8	48	64	160	215/265	105/110	87	110/120	JLATD83/JLATE92
2 1/2"	63.5	58	77	170	265/270	110/125	103	120/142	JLATD92/JLATE105
3"	76.2	70	91	196	265/270	110/125	110	120/142	JLATD92/JLATE105
3 1/2"	89	85	106	235	270/310	125/142	128	142/158	JLATD105/JLATE125
4"	101.6	97	119	270	310/400	142/160	135	158/178	JLATD125/JLATE140

●Note: According to different valve torque, different air supply pressure and different actual working conditions, select the matched actuator, and its relevant dimensions change accordingly.

▼ Attachment selection

Solenoid valve	3/2, 5/2, single electric control and double electric control, please indicate when ordering
Filter pressure reducing valve	Stabilize and filter air source pressure
Limit switch	Remote feedback switch signal
Manual device	Open and close valve manually
Positioner	Input analog signal (4-20mA or 0-10V), adjust valve travel
Remark	The above accessories are not standard accessories, if you need them, please indicate when ordering, solenoid valve and limit switch are divided into explosion-proof type and non-explosion-proof type, please indicate the explosion-proof grade if you need.



▼ ELECTRIC OVERALL DIMENSIONS CHART-PN10(10bar)

DN	OD ϕ	Overall Dimension							Actuator Model
		d	D	L	L1	L2	H1	H2	
3/4"	19	16	50.5	100	165/320	150/220	70	135/270	JLA05/JLB10
1"	25.4	22	50.5	105	165/320	150/220	70	135/270	JLA05/JLB10
1 1/4"	31.8	29	50.5	120	165/320	150/220	70	135/270	JLA05/JLB10
1 1/2"	38.1	35	50.5	137	165/320	150/220	70	135/270	JLA05/JLB10
2"	50.8	48	64	160	190/320	170/220	87	140/270	JLA10/JLB15
2 1/2"	63.5	58	77	170	190/355	170/250	103	140/275	JLA16/JLB20
3"	76.2	70	91	196	190/355	170/250	110	140/275	JLA16/JLB20
3 1/2"	89	85	106	235	270/375	220/290	128	170/315	JLA20/JLB30
4"	101.6	97	119	270	270/375	220/290	135	170/315	JLA40/JLB40

●Note: According to different valve torque, different voltage and different actual working conditions, select the matched actuator, and its relevant dimensions change accordingly.

▼ Control mode selection

Standard switch type	Active switching quantity control, passive switching quantity feedback
Integral switch type	Passive switching quantity control, passive switching quantity feedback
Integral regulating type	Analog quantity control(4-20mA), Analog quantity feedback(4-20mA)
RS485 Field bus type	Support RS485 communication
Remark	Other type of control signal and feedback signal can be customized according to customers' requirements