

HIGH VACUUM BALL VALVE

JVL

Model: JL600-Q9/Q9/C4/F/P/50/Z/W1/B6

Design Feature

- Tongue and groove joint valve seat design, non deformable, zero leakage
- Double flat precision bite structure, prevent corrosion, and easy to disassemble and assemble.
- The valve meets ISO5211 standard high platform design, ultra long service life
- Bidirectional sealing, bidirectional pressure bearing, small opening and closing torque, good liquidity
- Widely used in vacuum equipment with working pressure lower than standard atmospheric pressure

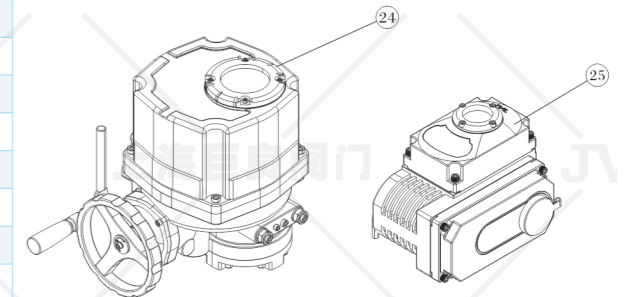
Model Naming Method

JL	-600	-Q9	-C4	-F	-	-P	-50	-Z	-	-W1	-B6	-
Juliang brand	Pneumatic	High vacuum ball valve	Flange	PTFE	PN	SS304	DN	Standard Switch type	Anti explosion class	-20~80°C	Limit switch	Attachment selection

Technical Parameter

DN	DN10~1200mm(Please indicate if need the other DN)
Nominal pressure	10~1.3*10 ⁴ pa(Other pressure standard, please indicate when ordering)
Body material	SS304(P),SS316(R)
Sealing material	PTFE(F),NBR(X1),FPM(X4)
Medium temp.	W1:-20~80°C,W2:-20~150°C
Connection mode	Wafer,Loose flange,Female thread, KF chuck
Pneumatic actuator	JLAT series,JLAW series,Imported actuator series
Action mode	Double acting,Single acting normally closed,Single acting normally open
Electric actuator	JLA series,JLB series,Imported actuator series
Control mode	Standard switch type,Integral regulating type,Integral switch type,Field bus type

•Notes:Other special sealing materials and special temperature can be selected according to customers' requirements.



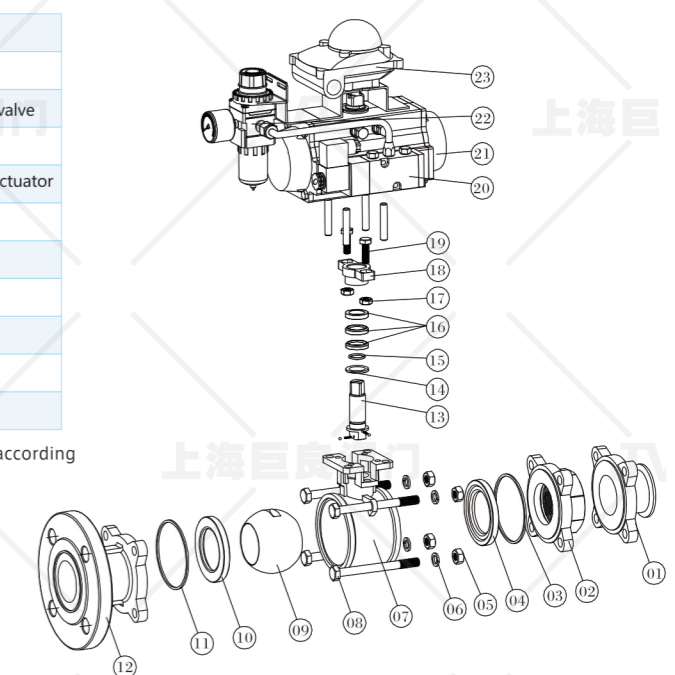
Main component table

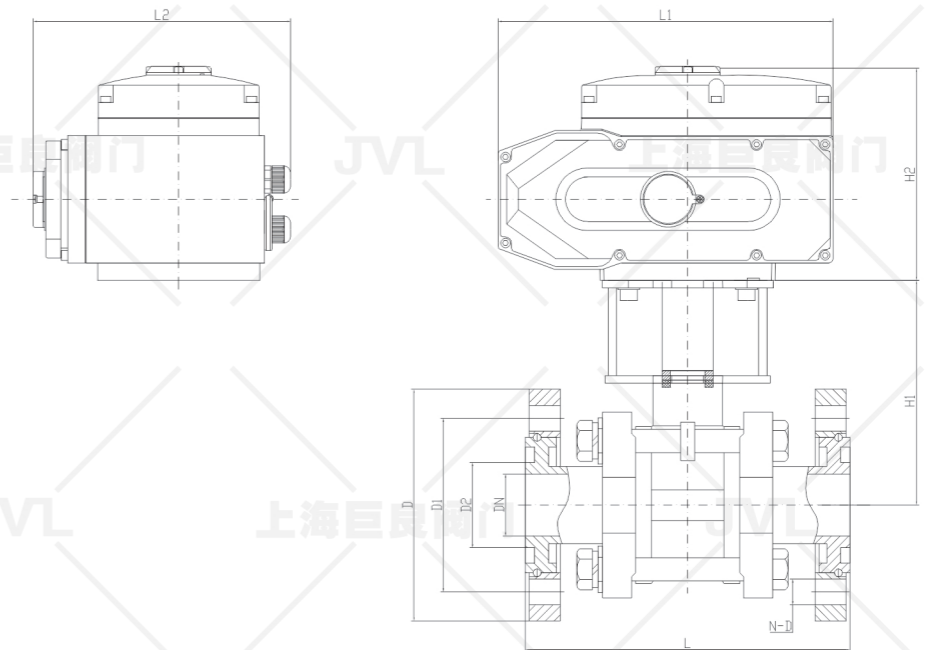
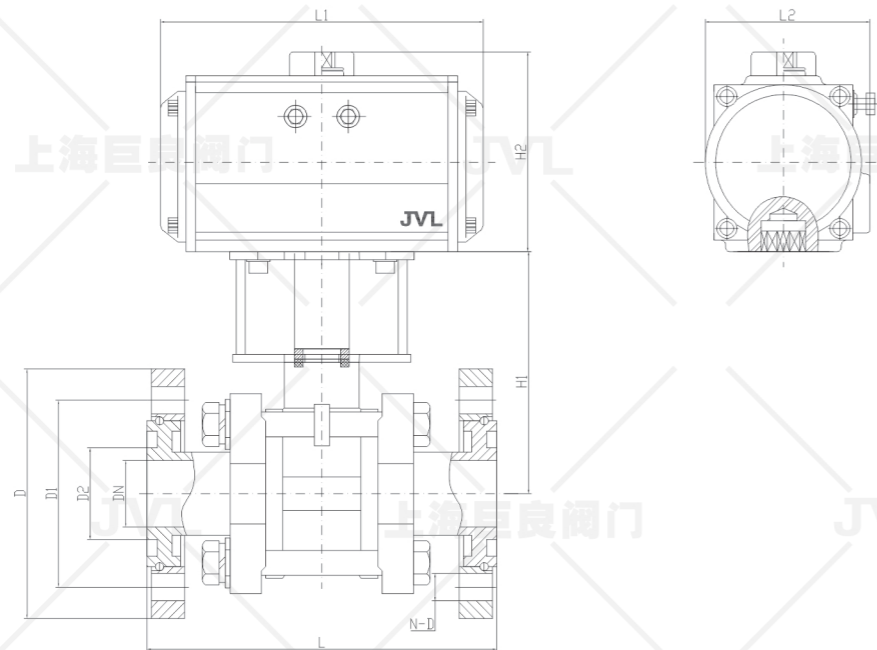
No.	Part Name	No.	Part Name	No.	Part Name
1	KF Bonnet	11	Seal ring	21	Pneumatic actuator
2	Female thread bonnet	12	Loose flange valve cover	22	Filter pressure reducing valve
3	Seal ring	13	Stem	23	Limit switch
4	Seat	14	Thrust washer	24	Explosion proof electric actuator
5	Screw	15	O type ring	25	Electric actuator
6	Spring washer	16	Packing group		
7	Valve body	17	Gland nut		
8	Bolt	18	Gland		
9	Valve core	19	Gland screw		
10	Seat	20	Solenoid valve		

•Note: The materials of main parts and sealing ring can be designed and selected according to the actual working conditions or customers' requirements.

Technical specification

Design consideration	GB
Design standard	JB/T 6446
Structure length	GB/T 12221
Flange connection	GB/T 6070
Test & Inspection standard	GB/T 13927





▼ PNEUMATIC OVERALL DIMENSIONS CHART(LOOSE FLANGE- 1.3×10^4 , 0.6×10^6)

DN	Overall Dimension				Connection Dimension				Actuator Model
	L	L1	L2	H2	D	D1	D2	N-D	
10	114	159/172	73/85	73/90	55	40	17	4-6.6	JLATD52/JLATE63
15	170	172/172	85/85	90/90	60	45	22	4-6.6	JLATD63/JLATE63
20	195	172/172	85/85	90/90	65	50	24	4-6.6	JLATD63/JLATE63
25	114	172/185	85/95	90/100	70	55	29	4-6.6	JLATD63/JLATE75
32	170	185/215	95/105	100/110	90	70	36	4-9	JLATD75/JLATE83
40	195	215/265	105/110	110/120	100	80	44	4-9	JLATD83/JLATE92
50	114	215/270	105/125	110/142	110	90	55	4-9	JLATD83/JLATE105
65	170	270/310	125/142	142/158	130	110	68	4-9	JLATD105/JLATE125
80	195	270/310	125/142	142/158	145	125	85	8-9	JLATD105/JLATE125
100	195	310/400	142/160	158/178	165	145	105	8-9	JLATD125/JLATE140
125	195	400/465	160/178	178/200	200	175	130	8-11	JLATD140/JLATE160
150	195	465/465	178/178	200/200	225	200	156	8-11	JLATD160/JLATE160

●Note: According to different valve torque, different air supply pressure and different actual working conditions, select the matched actuator, and its relevant dimensions change accordingly.

▼ Attachment selection

Solenoid valve	3/2, 5/2, single electric control and double electric control, please indicate when ordering
Filter pressure reducing valve	Stabilize and filter air source pressure
Limit switch	Remote feedback switch signal
Manual device	Open and close valve manually
Positioner	Input analog signal (4-20mA or 0-10V),adjust valve travel
Remark	The above accessories are not standard accessories, if you need them, please indicate when ordering, solenoid valve and limit switch are divided into explosion-proof type and non-explosion-proof type, please indicate the explosion-proof grade if you need.

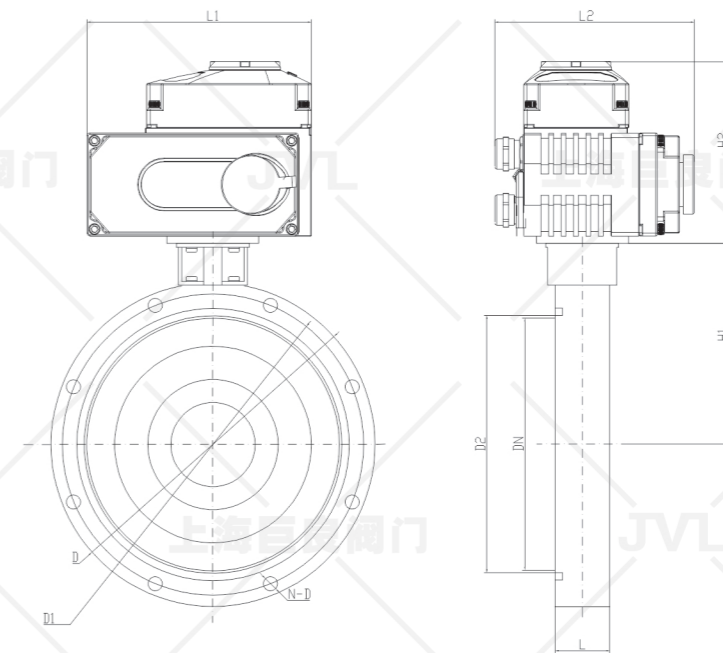
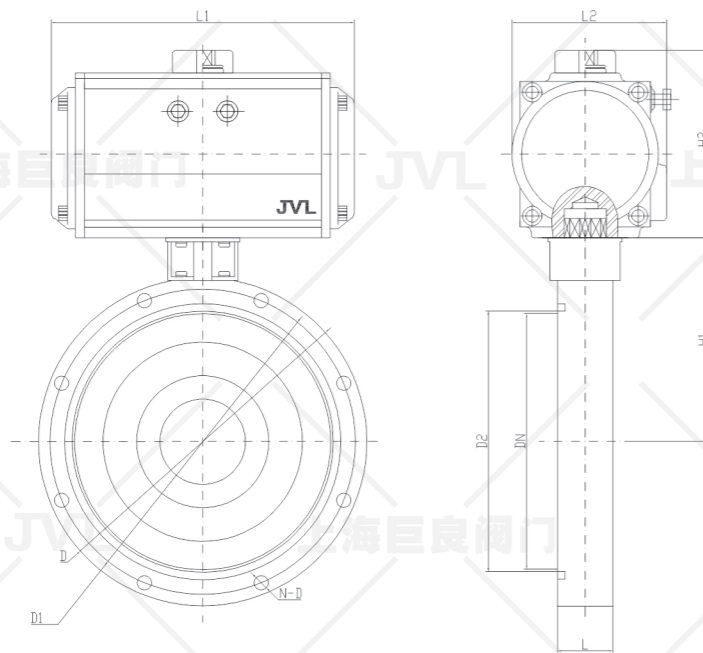
▼ ELECTRIC OVERALL DIMENSIONS CHART(LOOSE FLANGE- 1.3×10^4 , 0.6×10^6)

DN	Overall Dimension				Connection Dimension				Actuator Model
	L	L1	L2	H2	D	D1	D2	N-D	
10	114	165/320	150/220	135/270	55	40	17	4-6.6	JLA05/JLB10
15	170	165/320	150/220	135/270	60	45	22	4-6.6	JLA05/JLB10
20	195	165/320	150/220	135/270	65	50	24	4-6.6	JLA05/JLB10
25	114	165/320	150/220	135/270	70	55	29	4-6.6	JLA05/JLB10
32	170	165/320	150/220	135/270	90	70	36	4-9	JLA05/JLB10
40	195	190/320	170/220	140/270	100	80	44	4-9	JLA10/JLB15
50	114	190/320	170/220	140/270	110	90	55	4-9	JLA16/JLB15
65	170	190/355	170/250	140/275	130	110	68	4-9	JLAX20/JLB20
80	195	270/375	220/290	170/315	145	125	85	8-9	JLA20/JLB30
100	195	270/375	220/290	170/315	165	145	105	8-9	JLA40/JLB40
125	195	270/400	220/330	170/360	200	175	130	8-11	JLA60/JLB100
150	195	270/400	220/330	170/360	225	200	156	8-11	JLA100/JLB100

●Note: According to different valve torque, different voltage and different actual working conditions, select the matched actuator, and its relevant dimensions change accordingly.

▼ Control mode selection

Standard switch type	Active switching quantity control, passive switching quantity feedback
Integral switch type	Passive switching quantity control, passive switching quantity feedback
Integral regulating type	Analog quantity control(4-20mA), Analog quantity feedback(4-20mA)
RS485 Field bus type	Support RS485 communication
Remark	Other type of control signal and feedback signal can be customized according to customers' requirements



▼ ▼ PNEUMATIC OVERALL DIMENSIONS CHART (1.3×10^7 Pa、 6×10^5 Pa)

DN	Overall Dimension				Connection Dimension				Actuator Model
	L	L1	L2	H2	D	D1	D2	N-D	
32	22	159/172	73/85	73/90	78	64	36	4-7	JLATD52/JLATE63
40	22	159/172	73/85	73/90	85	70	44	4-7	JLATD52/JLATE63
50	22	159/172	73/85	73/90	110	90	55	4-7	JLATD52/JLATE63
65	26	172/185	85/95	90/100	125	105	70	4-9	JLATD63/JLATE75
80	30	185/215	95/105	100/110	145	125	85	4-9	JLATD75/JLATE83
100	30	215/265	105/110	110/120	170	145	105	4-12	JLATD83/JLATE92
150	35	270/310	125/142	142/158	220	195	156	8-12	JLATD105/JLATE125
200	40	310/400	142/160	158/178	275	250	208	8-12	JLATD125/JLATE140
250	45	400/465	160/178	178/200	330	300	258	8-14	JLATD140/JLATE160
300	55	465/550	178/210	200/235	380	250	308	8-14	JLATD160/JLATE190
400	60	-	-	-	500	465	410	8-18	-
500	80	-	-	-	600	565	510	12-18	-
600	100	-	-	-	710	670	610	12-21	-
800	130	-	-	-	920	880	815	20-21	-
1200	150	-	-	-	1440	1404	1280	36-19	-

●Note: According to different valve torque, different air supply pressure and different actual working conditions, select the matched actuator, and its relevant dimensions change accordingly.

▼ Attachment selection

Solenoid valve	3/2, 5/2, single electric control and double electric control, please indicate when ordering
Filter pressure reducing valve	Stabilize and filter air source pressure
Limit switch	Remote feedback switch signal
Manual device	Open and close valve manually
Positioner	Input analog signal (4-20mA or 0-10V),adjust valve travel
Remark	The above accessories are not standard accessories, if you need them, please indicate when ordering, solenoid valve and limit switch are divided into explosion-proof type and non-explosion-proof type, please indicate the explosion-proof grade if you need.

▼ ELECTRIC OVERALL DIMENSIONS CHART (1.3×10^7 Pa、 6×10^5 Pa)

DN	Overall Dimension				Connection Dimension				Actuator Model
	L	L1	L2	H2	D	D1	D2	N-D	
32	22	165/320	150/220	135/270	78	64	36	4-7	JLA05/JLB10
40	22	165/320	150/220	135/270	85	70	44	4-7	JLA05/JLB10
50	22	165/320	150/220	135/270	110	90	55	4-7	JLA05/JLB10
65	26	165/320	85/220	135/270	125	105	70	4-9	JLA05/JLB10
80	30	190/320	170/220	140/270	145	125	85	4-9	JLA10/JLB15
100	30	190/320	170/220	140/270	170	145	105	4-12	JLA16/JLB15
150	35	270/375	220/290	170/315	220	195	156	8-12	JLA20/JLB30
200	40	270/375	220/290	170/315	275	250	208	8-12	JLA40/JLB40
250	45	270/375	220/290	170/315	330	300	258	8-14	JLA60/JLB50
300	55	270/400	220/330	170/360	380	250	308	8-14	JLA100/JLB100
400	60	-	-	-	500	465	410	8-18	-
500	80	-	-	-	600	565	510	12-18	-
600	100	-	-	-	710	670	610	12-21	-
800	130	-	-	-	920	880	815	20-21	-
1200	150	-	-	-	1440	1404	1280	36-19	-

●Note: According to different valve torque, different voltage and different actual working conditions, select the matched actuator, and its relevant dimensions change accordingly.

▼ Control mode selection

Standard switch type	Active switching quantity control, passive switching quantity feedback
Integral switch type	Passive switching quantity control, passive switching quantity feedback
Integral regulating type	Analog quantity control(4-20mA), Analog quantity feedback(4-20mA)
RS485 Field bus type	Support RS485 communication
Remark	Other type of control signal and feedback signal can be customized according to customers' requirements