

# SOFT SEALED BUTTERFLY VALVE



JVL



Model: JL600-D1/C7/X3/16/Q/200/D1/W1/B2/B6

## Design Feature

- Tongue groove joint valve seat design, not easy to deform, zero leakage
- Double flat precision bite structure, prevent corrosion, easy to disassemble and assemble
- The valve meets ISO5211 standard high platform design, ultra long service life
- Bidirectional sealing, bidirectional pressure bearing, small opening & closing torque, good liquidity
- Compact structure, convenient installation, economical & practical, widely used

## Model Naming Method

JL	-600	-D1	-C7	-X3	-16	-Q	-200	-D1	-	-W1	-B2	-B6
Juliang brand	Pneumatic	Mid line soft sealed butterfly valve	Wafer	EPDM	PN	Ductile Iron	DN	Double acting	Anti-explosion class	-20~80℃	5/2 Solenoid valve	Limit switch valve

## Technical Parameter

DN	DN50~500mm( Other port size, please indicate when ordering)
Nominal pressure	1.0~1.6Mpa (Other pressure standard, please indicate when ordering)
Body material	Ductile iron(Q), WCB(C), SS304(P)
Sealing material	NBR(X1), NR(X2), EPDM(X3), FPM(X4)
Medium temp.	W1:-20~80℃, W2:-20~150℃
Connection mode	Flange, Wafer
Pneumatic actuator	JLAT series, JLAW series, JLGT series, Imported actuator series
Action mode	Double acting, Single acting normally closed, Single acting normally open
Electric actuator	JLA series, JLB series, Imported actuator series
Control mode	Standard switch type, Integral regulating type, Integral switch type, Field bus type

• Notes: Other special sealing materials and special temperature can be selected according to customers' requirements.

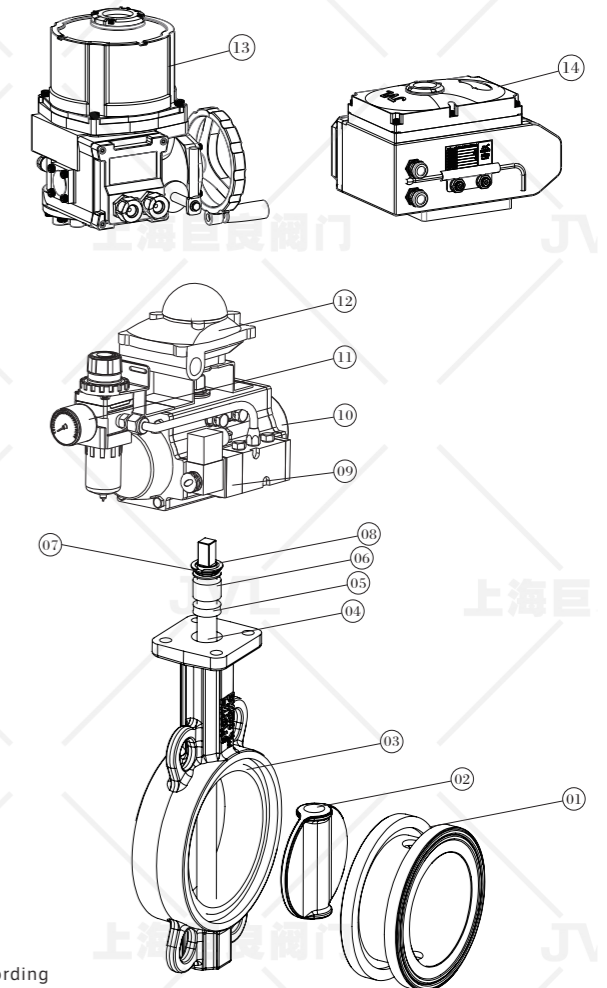
## Main component table

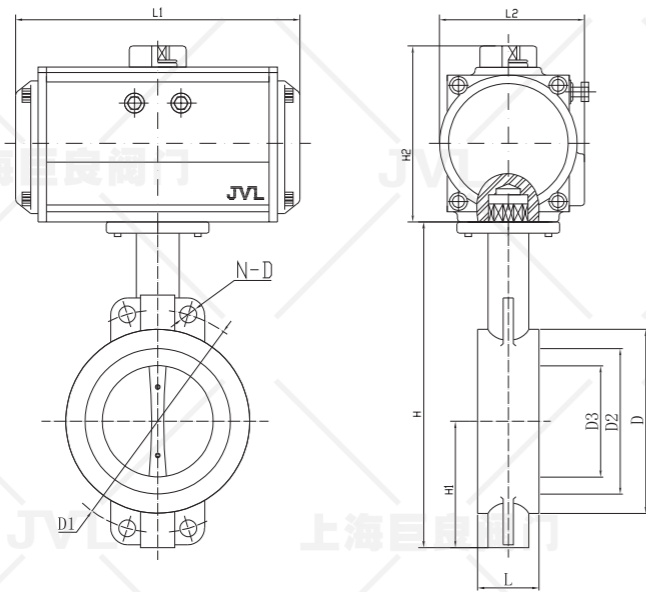
No.	Part Name	No.	Part Name
1	Valve seat	11	Filter pressure reducing valve
2	Disc	12	Limit switch
3	Valve body	13	Anti-explosion electric actuator
4	Stem	14	Electric actuator
5	Seal ring		
6	Stem sleeve		
7	Stem positioning ring		
8	Circlip		
9	Solenoid valve		
10	Pneumatic actuator		

• Note: The materials of main parts and sealing ring can be designed and selected according to the actual working conditions or customers' requirements.

## Technical specification

Design consideration	GB		
Design standard	GB/T 12238	Structure length	GB/T 12221
Flange connection	GB/T 9113	Test, Inspection standard	GB/T 13927





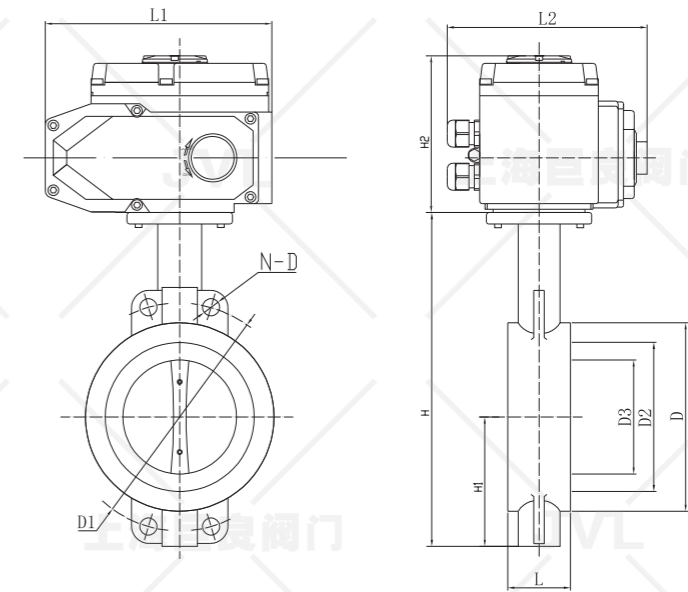
▼ PNEUMATIC OVERALL DIMENSIONS CHART-PN10、16 ( 10、16bar )

DN	Overall Dimension						Connection Size 1.0/1.6				Actuator Model
	L	H	H1	L1	L2	H2	D	D1	D2	N-D	
40	33	147	53	159/172	73/85	73/90	80	110	68	4-16	JLATD52/JLATE63
50	42	195	55	159/172	73/85	73/90	95	125	82	4-16	JLATD52/JLATE63
65	44	217	64	172/215	85/105	90/110	114	145	97	4-16	JLATD63/JLATE83
80	44	232	73	185/265	95/110	100/120	126	160	113	8-16	JLATD75/JLATE92
100	50	270	88	215/270	105/125	110/142	154	180	139	8-16	JLATD83/JLATE105
125	56	292	102	265/270	110/125	120/142	180	210	163	8-16	JLATD92/JLATE105
150	56	318	115	270/310	125/142	142/158	206	240	195	8-20	JLATD105/JLATE125
200	60	390	149	310/400	142/160	158/178	264	295	250	8-20/12-20	JLATD125/JLATE140
250	68	457	184	400/465	160/178	178/200	320	350/355	305	12-20/12-24	JLATD140/JLATE160
300	78	518	207	465/550	178/210	200/235	370	400/410	352	12-20/12-24	JLATD160/JLATE190
350	78	610	247	550/550	210/235	235/260	430	460/470	405	16-20/16-24	JLATD190/JLATE210
400	102	650	275	550/646	235/258	260/325	480	515/525	455	16-24/16-27	JLATD210/JLATE240
450	114	713	307	646/722	258/292	325/350	550	565/585	515	20-24/20-27	JLATD240/JLATE270
500	127	768	330	646/722	258/292	325/350	590	620/650	565	20-24/20-30	JLATD240/JLATE270
600	151	919	400	722/1630	292/375	350/326	695	725/770	674	20-27/20-33	JLATD270/JLAW25

●Note: According to different valve torque, different air supply pressure and different actual working conditions, select the matched actuator, and its relevant dimensions change accordingly.

▼ Attachment selection

Solenoid valve	3/2, 5/2, single electric control and double electric control, please indicate when ordering
Filter pressure reducing valve	Stabilize and filter air source pressure
Limit switch	Remote feedback switch signal
Manual device	Manual device can open and close valve manually
Positioner	Input analog signal (4-20mA or 0-10V), Adjust valve travel
Remark	The above accessories are not standard accessories, if you need them, please indicate when ordering, solenoid valve and limit switch are divided into explosion-proof type and non-explosion-proof type, if you need explosion-proof type, please indicate the explosion-proof grade.



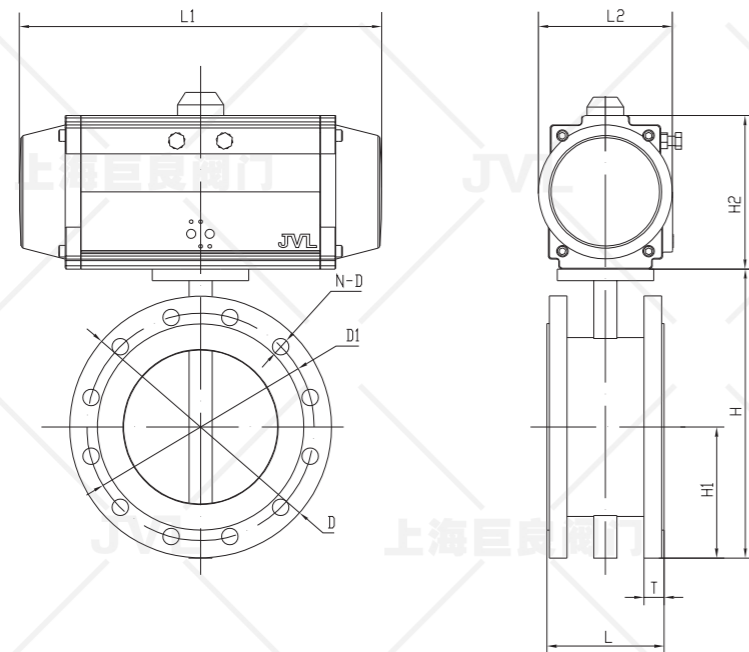
▼ ELECTRIC OVERALL DIMENSIONS CHART-PN10、16 ( 10、16bar )

DN	Overall Dimension						Connection Size 1.0/1.6				Actuator Model
	L	H	H1	L1	L2	H2	D	D1	D2	N-D	
40	33	147	53	165/320	150/220	135/270	80	110	68	4-16	JLA05/JLB10
50	42	195	55	165/320	150/220	135/270	95	125	82	4-16	JLA05/JLB10
65	44	217	64	165/320	150/220	135/270	114	145	97	4-16	JLA05/JLB10
80	44	232	73	165/320	150/220	135/270	126	160	113	8-16	JLA05/JLB10
100	50	270	88	190/320	170/220	140/270	154	180	139	8-16	JLA10/JLB15
125	56	292	102	190/355	170/250	140/275	180	210	163	8-16	JLA16/JLB20
150	56	318	115	190/375	170/290	140/315	206	240	195	8-20	JLAX20/JLB30
200	60	390	149	270/375	220/290	170/315	264	295	250	8-20/12-20	JLA20/JLB40
250	68	457	184	270/375	220/290	170/315	320	350/355	305	12-20/12-24	JLA60/JLB50
300	78	518	207	270/400	220/330	170/360	370	400/410	352	12-20/12-24	JLA100/JLB100
350	78	610	247	270/400	220/330	170/360	430	460/470	405	16-20/16-24	JLA200/JLB100
400	102	650	275	400	330	520	480	515/525	455	16-24/16-27	JLB200
450	114	713	307	400	330	520	550	565/585	515	20-24/20-27	JLB200
500	127	768	330	400	330	520	590	620/650	565	20-24/20-30	JLB200
600	151	919	400	-	-	-	695	725/770	674	20-27/20-33	-

●Note: According to different valve torque, different voltage and different actual working conditions, select the matched actuator, and its relevant dimensions change accordingly.

▼ Control mode selection

Standard switch type	Active switching quantity control, passive switching quantity feedback
Integral switch type	Passive switching quantity control, passive switching quantity feedback
Integral regulating type	Analog quantity control(4-20mA), Analog quantity feedback(4-20mA)
RS485 Field bus type	Support RS485 communication
Remark	Other type of control signal and feedback signal can be customized according to customers' requirements



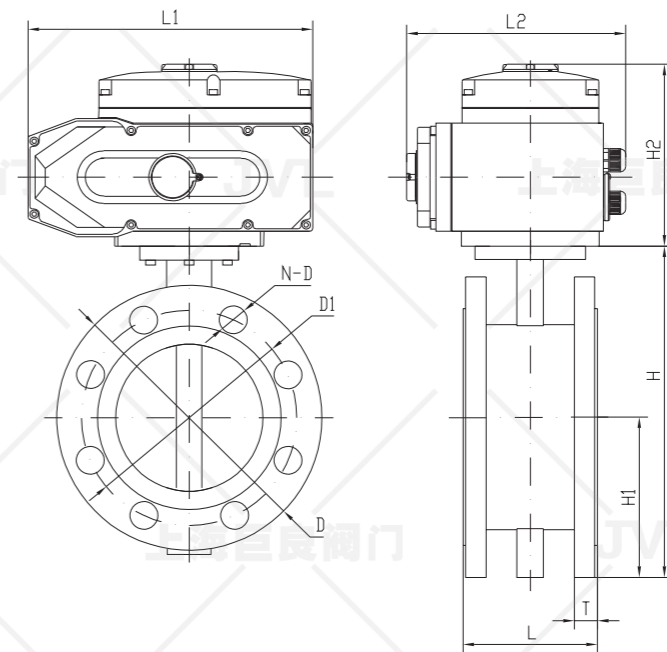
▼ PNEUMATIC OVERALL DIMENSIONS CHART-PN10、16 ( 10、16bar )

DN	Overall Dimension						Connection Size 1.0/1.6			Actuator Model
	L	H	H1	L1	L2	H2	D	D1	N-D	
50	108	200	80	159/172	73/85	73/90	165	125	4-18	JLATD52/JLATE63
65	112	219	89	172/215	85/105	90/110	185	145	4-18	JLATD63/JLATE83
80	114	240	95	185/265	95/110	100/120	200	160	8-18	JLATD75/JLATE92
100	127	270	114	215/270	105/125	110/142	220	180	8-18	JLATD83/JLATE105
125	140	295	125	265/310	110/142	120/158	250	210	8-18	JLATD92/JLATE125
150	140	330	142	270/310	125/142	142/158	285	240	8-22	JLATD105/JLATE125
200	152	375	170	310/400	142/160	158/178	340	295	8-22/12-22	JLATD125/JLATE140
250	165	433	198	400/465	160/178	178/200	395/405	350	12-22/12-26	JLATD140/JLATE160
300	178	503	223	465/550	178/210	200/235	445/460	400/410	12-22/12-26	JLATD160/JLATE190
350	190	590	260	550/550	210/235	235/260	505/520	460/470	16-22/16-26	JLATD190/JLATE210
400	216	660	290	550/646	235/258	260/325	565/580	515/525	16-26/16-30	JLATD210/JLATE240
450	222	720	320	646/722	258/292	325/350	615/640	565/585	20-16/20-30	JLATD240/JLATE270
500	229	900	400	646/722	646/292	646/350	670/715	620/650	20-26/20-33	JLATD240/JLATE270
600	267	1027	457	1495/1630	350/375	326/326	780/840	725/770	20-30/20-36	JLAWD20/JLAW25

●Note: According to different valve torque, different air supply pressure and different actual working conditions, select the matched actuator, and its relevant dimensions change accordingly.

▼ Attachment selection

Solenoid valve	3/2, 5/2, single electric control and double electric control, please indicate when ordering
Filter pressure reducing valve	Stabilize and filter air source pressure
Limit switch	Remote feedback switch signal
Manual device	Manual device can open and close valve manually
Positioner	Input analog signal (4-20mA or 0-10V), Adjust valve travel
Remark	The above accessories are not standard accessories, if you need them, please indicate when ordering, solenoid valve and limit switch are divided into explosion-proof type and non-explosion-proof type, if you need explosion-proof type, please indicate the explosion-proof grade.



▼ ELECTRIC OVERALL DIMENSIONS CHART-PN10、16 ( 10、16bar )

DN	Overall Dimension						Connection Size 1.0/1.6			Actuator Model
	L	H	H1	L1	L2	H2	D	D1	N-D	
50	108	200	80	165/320	150/220	135/270	165	125	4-18	JLA05/JLB10
65	112	219	89	165/320	150/220	135/270	185	145	4-18	JLA05/JLB10
80	114	240	95	165/320	150/220	135/270	200	160	8-18	JLA05/JLB10
100	127	270	114	190/320	170/220	140/270	220	180	8-18	JLA10/JLB15
125	140	295	125	190/355	170/250	140/275	250	210	8-18	JLA16/JLB20
150	140	330	142	190/375	170/290	140/315	285	240	8-22	JLAX20/JLB30
200	152	375	170	270/375	220/290	170/315	340	295	8-22/12-22	JLA20/JLB40
250	165	433	198	270/375	220/290	170/315	395/405	350	12-22/12-26	JLA60/JLB50
300	178	503	223	270/400	220/330	170/360	445/460	400/410	12-22/12-26	JLA100/JLB100
350	190	590	260	270/400	220/330	170/360	505/520	460/470	16-22/16-26	JLA200/JLB100
400	216	660	290	400	330	520	565/580	515/525	16-26/16-30	JLB200
450	222	720	320	400	330	520	615/640	565/585	20-16/20-30	JLB200
500	229	900	400	400	330	520	670/715	620/650	20-26/20-33	JLB200
600	267	1027	457	-	-	-	780/840	725/770	20-30/20-36	-

●Note: According to different valve torque, different voltage and different actual working conditions, select the matched actuator, and its relevant dimensions change accordingly.

▼ Control mode selection

Standard switch type	Active switching quantity control, passive switching quantity feedback
Integral switch type	Passive switching quantity control, passive switching quantity feedback
Integral regulating type	Analog quantity control(4-20mA), Analog quantity feedback(4-20mA)
RS485 Field bus type	Support RS485 communication
Remark	Other type of control signal and feedback signal can be customized according to customers' requirements