

# GLOBE VALVE



Model: JL900-J1/C4/H/16/P/50/E3/W4

### Design Feature

- Frictionless opening and closing, low torque design, convenient disassembly & assembly, safe & reliable.
- Wedge sealing structure, good sealing, self cleaning function, widely used.
- High temperature resistance, high pressure resistance, corrosion resistance, wear resistance, automatic compensation function.
- Top mounted structure, single seat design, good sealing performance, long service life.

### Model Naming Method

JL	-900	-J1	-C4	-H	-16	-P	-50	-E3	-	-W4	-	-
Juliang brand	Electric	Globe valve	Flange	Metal hard sealing	PN	SS304	DN	Single acting normally open	Anti explosion class	-29~425°C	Attachment selection	Attachment selection

### Technical Parameter

DN	DN15~300mm(Please indicate if need the other DN)
Nominal pressure	1.6~6.4Mpa (Other pressure standard,please indicate when ordering)
Body material	WCB(C), SS304(P), SS316(R)
Sealing material	Metal hard seal (H)
Medium temp.	W4:-29~425°C
Connection mode	Flange,Butt welding
Pneumatic actuator	Pneumatic actuator series
Action mode	Double acting,Single acting normally closed,Single acting normally open
Electric actuator	Electric actuator series
Control mode	Standard switch type,Integral regulating type, Integral switch type

• Notes:Other special sealing materials and special temperature can be selected according to customers' requirements.

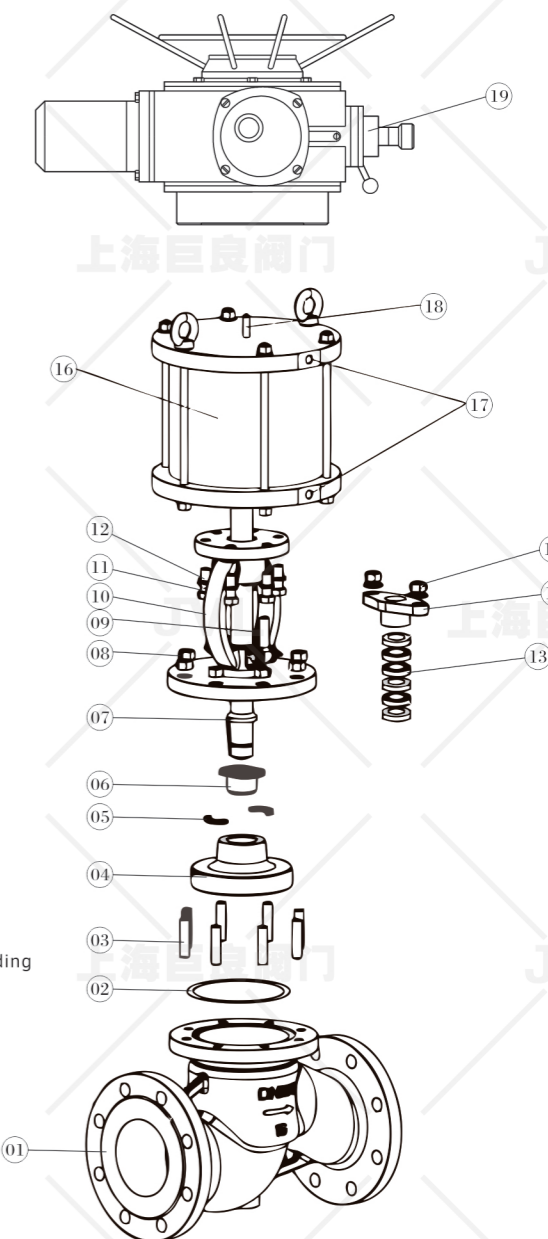
### Main component table

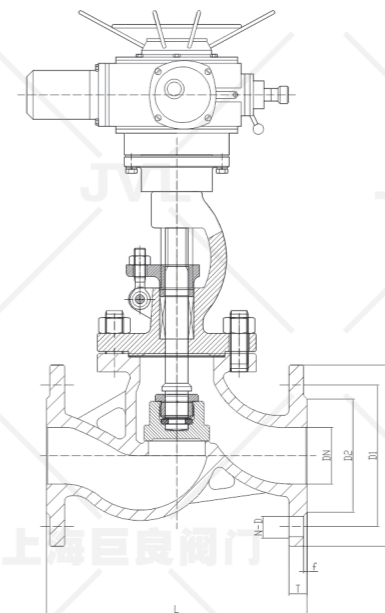
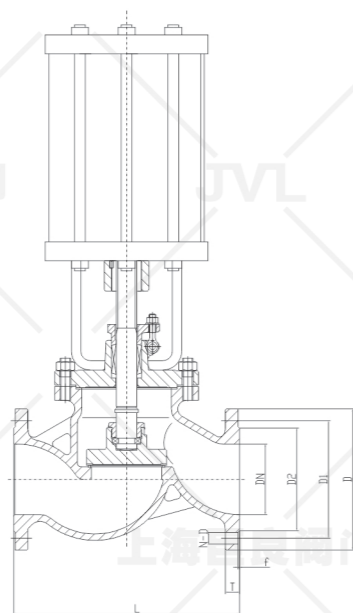
No.	Part Name	No.	Part Name
1	Valve body	11	Bolt
2	Gasket	12	Gasket
3	Bolt	13	Packing
4	Screw flap	14	Packing plate
5	Split ring	15	Nut
6	Valve disc cover	16	Pneumatic actuator
7	Stem	17	Air source interface
8	Nut	18	Valve position marking rod
9	Eye bolt	19	Electric actuator
10	Bonnet		

• Note: The materials of main parts and sealing ring can be designed and selected according to the actual working conditions or customers' requirements.

### Technical specification

Design consideration	GB
Design standard	GB/T 12235
Structure length	JB/T 2203
Flange connection	JB/T 79
Test & Inspection standard	GB/T 26480





▼ PNEUMATIC OVERALL DIMENSIONS CHART-PN16(16bar)

DN	Overall Dimension		Connection Dimension				
	L	D	D1	D2	T	f	N-D
15	130	95	65	46	14	2	4-14
20	150	105	75	56	16	2	4-14
25	160	115	85	65	16	2	4-14
32	180	140	100	76	18	2	4-18
40	200	150	110	84	18	3	4-18
50	230	165	125	99	20	3	4-18
65	290	185	145	118	20	3	4-18
80	310	200	160	132	20	3	8-18
100	350	220	180	156	22	3	8-18
125	400	250	210	184	22	3	8-18
150	480	285	240	211	24	3	8-22
200	600	340	295	266	24	3	12-22
250	730	405	355	319	26	3	12-26
300	850	460	410	370	28	4	12-26

●Note: According to different valve torque, different air supply pressure and different actual working conditions, select the matched actuator, and its relevant dimensions change accordingly.

▼ Attachment selection

Solenoid valve	3/2, 5/2, single electric control and double electric control, please indicate when ordering
Filter pressure reducing valve	Stabilize and filter air source pressure
Limit switch	Remote feedback switch signal
Manual device	Open and close valve manually
Positioner	Input analog signal (4-20mA or 0-10V),adjust valve travel
Remark	The above accessories are not standard accessories, if you need them, please indicate when ordering, solenoid valve and limit switch are divided into explosion-proof type and non-explosion-proof type, please indicate the explosion-proof grade if you need.

▼ ELECTRIC OVERALL DIMENSIONS CHART-PN16(16bar)

DN	Overall Dimension		Connection Dimension				
	L	D	D1	D2	T	f	N-D
15	130	95	65	46	14	2	4-14
20	150	105	75	56	16	2	4-14
25	160	115	85	65	16	2	4-14
32	180	140	100	76	18	2	4-18
40	200	150	110	84	18	3	4-18
50	230	165	125	99	20	3	4-18
65	290	185	145	118	20	3	4-18
80	310	200	160	132	20	3	8-18
100	350	220	180	156	22	3	8-18
125	400	250	210	184	22	3	8-18
150	480	285	240	211	24	3	8-22
200	600	340	295	266	24	3	12-22
250	730	405	355	319	26	3	12-26
300	850	460	410	370	28	4	12-26

●Note: According to different valve torque, different voltage and different actual working conditions, select the matched actuator, and its relevant dimensions change accordingly.

▼ Control mode selection

Standard switch type	Active switching quantity control, passive switching quantity feedback
Integral switch type	Passive switching quantity control, passive switching quantity feedback
Integral regulating type	Analog quantity control(4-20mA), Analog quantity feedback(4-20mA)
RS485 Field bus type	Support RS485 communication
Remark	Other type of control signal and feedback signal can be customized according to customers' requirements