



ZBS EXPORT SERIES OF HIGH END STAINLESS STEEL SOLENOID VALVES

JVL THE CHOICEST GOODS/REPLACING IMPORTED GOODS/SKILLED TECHNOLOGY/WIDELY USED

Valve selection

- The direction of arrow on the valve body must be consistent with the flow of the medium, if there is bi-directional flow, may select electric valve or pneumatic valve.
- If contain impurity particles in the fluid, the strainer should be installed in front of the valve according to the particle size (the mesh number≥80).
- The length of DC power cord should not be too long to avoid coil power loss and normal operation.
- Please give preference to the normally closed type in the design control plan.
- If you need explosion-proof solenoid valve, vacuum solenoid valve, long duration power on and special voltage requirements, please consult before selecting the model.

Model Naming Method

JLB	ZBS	-1	-K	-RL	-J6	DN8	G1/4
Special code	Model	Medium temp.	Function mode	Body material	Working coil selection	Nominal diameter	Connection mode
B→BT4 Anti-explosion BZ→CT5 Anti-explosion No special, blank		1:-20°C~80°C 2:-20°C~150°C 3:100°C~200°C 4:120°C~250°C	Blank→Normally closed K→Normally open S→Manual device X→Signal device	Blank→CF8 or 304 RL→CF3M or 316L	Refer to data sheet	DN08→8mm DN10→10mm	G1/4~G1/2 NPT1/4~1/2

Other important parameters

Technical parameter

DN	DN9~10mm
Connection mode	English system G internal thread, American system NPT internal thread (other can be customized)
Principle	Distributed pilot mode
Valve body material	SS304, and SS316L(-RL) can be customized
Sealing material	NBR, FKM, PTFE, others please consult
Suitable medium	Vapor, Liquid, Gas, Oil etc
Medium temperature	1.-20°C~80°C 2.-20°C~150°C 3.100°C~200°C 4.120°C~250°C others please consult
Ambient temperature	Standard type: -20°C~60°C
Installation mode	Horizontal installation, coil vertical upward (others please consult)
Protection level	Iron housing type:IP54 Plastic sealing type:IP65 Explosion-proof type:BT4:IP54 CT5:IP65

•Notes: Special conditions can be designed and manufactured according to the customer's actual conditions.

Power parameter

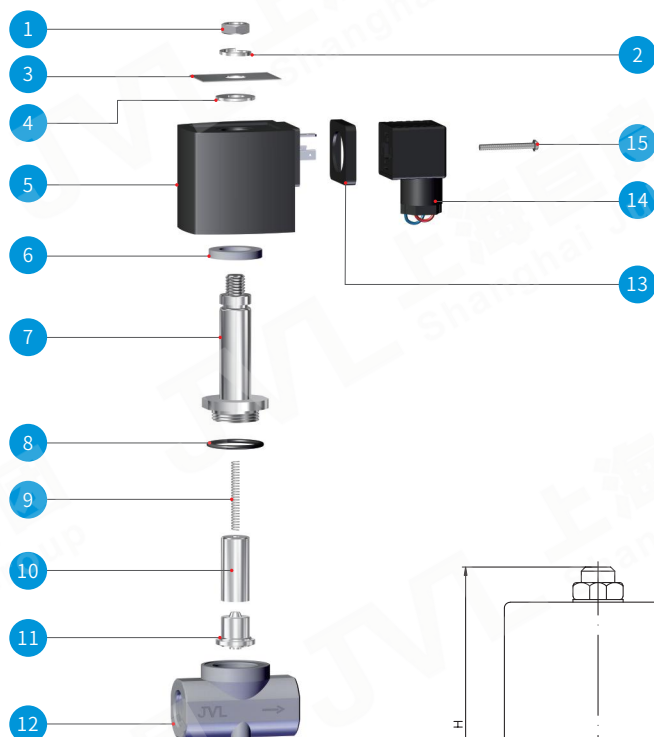
Supply Voltage	AC:220V DC:24V other voltages can be customized
Rated power	J6 AC33VA DC32W J8 AC40VA DC37W
Voltage deviation	±10%
Electrical connection	Standard type:DIN43650A/B, Standard junction box(M18x1.5) Anti-explosion type:Standard G1/2" inner thread Power cord of IP54 can be replaced, but IP65 can't

Product function selection

Symbol	Function mode	Content
Blank	Normally closed	Energized valve on, deenergized valve off
K	Normally open	Energized valve off, deenergized valve on
X	Signal feedback	Passive contact signal feedback, reflect on-off state of valve
S	Hand device	Manual on-off valve
Notes	Anti-explosion level: Ex dbII BT4 Gb, Ex dbII CT5 Gb special device related qualification please ask for from our sales	

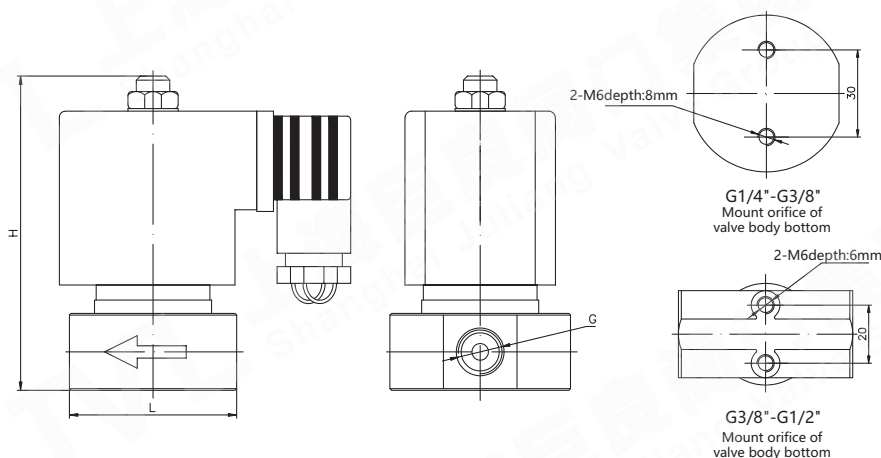
Application: Aerospace and aviation, national defense, petrochemical industry, HVAC, Iron and steel metallurgy, electric equipment, medical equipment, food machinery, Rubber and plastic machinery, agriculture industrial machinery, analytical instruments, humidifiers, generator sets, environmental water treatment, industry Kilns, boiler burners, filling equipment, brewing equipment, drying equipment, vacuum equipment and other products supporting and related industry automation control system.

SUPER LONG LIFETIME/MILITARY ACCESSORIES/ GOOD QUALITY



Part component description

NO.	Name	NO.	Name
1	M10 outer hex nut	9	Reset spring
2	D10 spring washer	10	Moving iron core component
3	Name plate	11	Small valve core component
4	Flat washer	12	Valve body
5	Electromagnetic coil	13	Protective pad for junction box
6	Anti-shock spring washer	14	Junction box
7	Bonnet component	15	M3 bolt
8	Bonnet seal unit		



Normally closed standard product specifications & dimensions

Type	Nominal diameter DN[mm]	Pipe thread [G]	Differential pressure range[bar]				Outer shape dimension				Mount orifice size
			J6		J8		J6		J8		
			AC	DC	AC	DC	L	H	L	H	
ZBS09	9	G1/4", G3/8"	0.5~20	0.5~20	1~50	1~50	50	95	50	111	2-M6
ZBS10	10	G3/8", G1/2"	0.5~20	0.5~20	1~50	1~50	60	104	60	120	2-M6

Notes: 1. The above technical data and installation dimensions are standard designs. If added functional options or pipeline design is strict, you can ask "Overall drawing" from our company. Other pressure grade or special technical requirements shall be subject to the appointment of contract and physical products.
2. If the solenoid valve is used in explosion-proof conditions, please ask "explosion-proof solenoid valve's "Overall drawing" from our company.