



ZCD MINIATURE BRASS SOLENOID VALVE

GERMAN HARDCOVER/REPLACING IMPORTED GOODS/SIMPLE STRUCTURE/SUPER LONG LIFE

Valve selection

- The direction of arrow on the valve body must be consistent with the flow of the medium, may select electric v if there is bi-directional flow valve or pneumatic valve.
- If contain impurity particles in the fluid, the strainer should be installed in front of the valve according to the particle size (the mesh number ≥ 80).
- The length of DC power cord should not be too long to avoid coil power loss and normal operation.
- Please give preference to the normally closed type in the design control plan.
- If you need explosion-proof solenoid valve, vacuum solenoid valve, long duration power on and special voltage requirements, please consult before selecting the model.

Model Naming Method

JLB	ZCD	-1	-K	-P	-J5	DN6	G1/4	
Special code	Model	Medium temp select	Function mode	Body material	Working coil selection	Nominal diameter	Connection mode	
B→BT4 Anti-explosion BM→CT4 Anti-explosion No special,omitted		1:-20°C~80°C 2:-20°C~150°C	Blank→Normally closed K→Normally open	P→SS304 RI→SS316L Blank→Brass	Refer to data sheet	DN1→1MM DN2→2MM	G1/4~G1	
							Other important parameters	

Technical parameter

DN	DN1~25mm
Connection mode	English system G internal thread(and NPT thread can be customized)
Principle	Direct motion piston mode
Valve body material	Brass, SS304 and SS316L(RL) can be customized
Sealing material	NBR, FKM, others please consult
Suitable medium	Vapor,Liquid, Gas, Oil, Vacuum and etc.
Medium temperature	1.-20°C~80°C 2.-20°C~150°C others please consult
Ambient temperature	Standard type: -20°C~60°C
Installation mode	Horizontal installation, coil vertical upward (others please consult)
Protection level	Plastic sealing type:IP65 Encapsulation type:IP65 Explosion-proof type:BT4:IP54

• Notes: Special conditions can be designed and manufactured according to the customer's actual conditions.

Power parameter

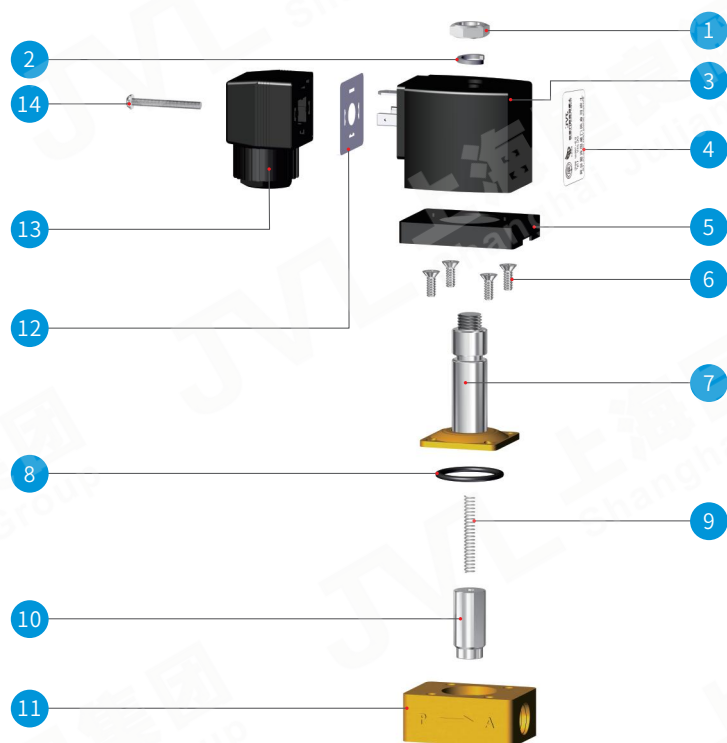
Supply Voltage	AC:220V DC:24V other voltages can be customized
Rated power	J3 AC22VA DC18W J5 AC26VA DC19W
	J6 AC30VA DC32W J7 AC22VA DC25W J8 AC40VA DC37W
Voltage deviation	±10%
Electrical connection	Standard type:DIN43650A/B,Standard junction box(M18x1.5) Anti-explosion type:Standard M14x1.5 inner thread Power cord of IP54 can be replaced, but IP65 can't



ZCD MINIATURE BRASS SOLENOID VALVE

Application: medical equipment, food machinery, agricultural machinery, analytical instruments, humidifier, sulfur tester, water dispenser, bottle blowing machine, filling equipment, brewing equipment, generator set, environmental water treatment, industrial kiln, boiler burner, matching with welding and cutting products and automation control system of related industries.

GERMAN HARDCOVER/REPLACING IMPORTED GOODS/SIMPLE STRUCTURE/SUPER LONG LIFE



Part component description

NO.	Name
1	M10 outer hex nut
2	D10 spring washer
3	Electromagnetic coil
4	Name plate
5	Body cover
6	Bonnet fastening bolt
7	Bonnet component
8	Bonnet seal unit
9	Reset spring
10	Moving iron core component
11	Valve body
12	Protective pad for junction box
13	Junction box
14	M3 bolt

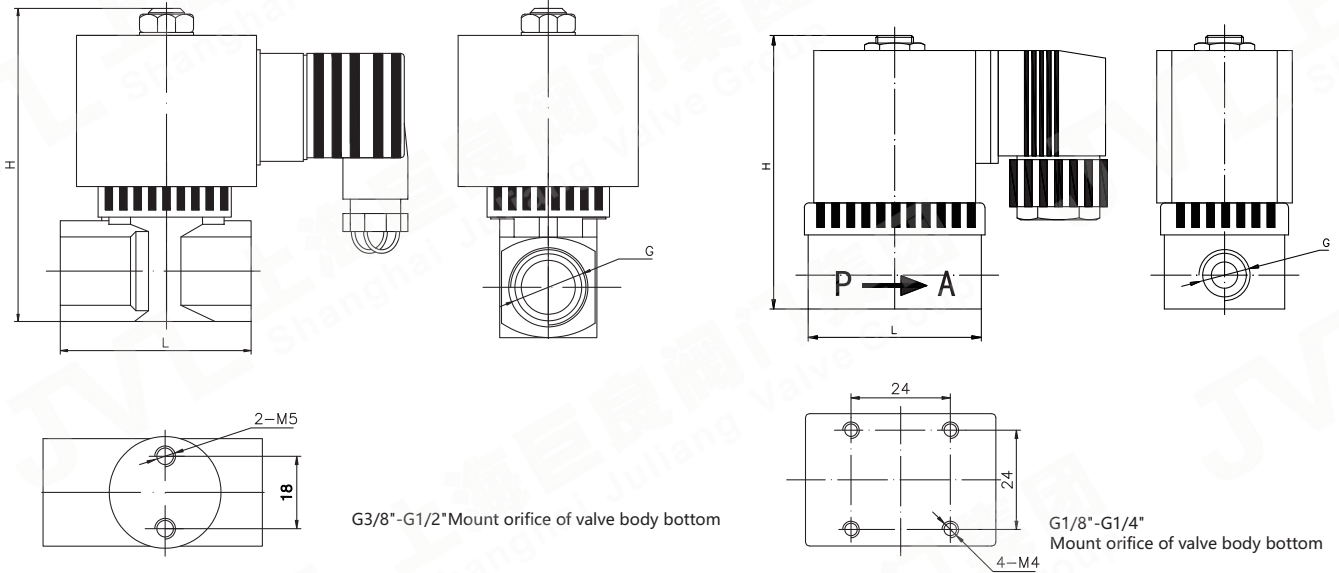
Product function selection

Symbol	Function mode	Content
Blank	Normally closed	Energized valve on, deenergized valve off
K	Normally open	Energized valve off, deenergized valve on
M	Energy-saving device	Energy saving and reducing temperature rise
ZK	Vacuum mode	Suitable for vacuum condition
Notes	Anti-explosion level: Ex dbII BT4 Gb, Ex mbII T4 Gb special device related qualification please ask for from our sales	

ZCD MINIATURE BRASS SOLENOID VALVE

MILITARY SUPPORTING GOOD QUALITY/RECOMMENDED PRODUCTS/ECONOMICAL AND APPLICABLE

Application: medical equipment, food machinery, agricultural machinery, analytical instruments, humidifier, sulfur tester, water dispenser, bottle blowing machine, filling equipment, brewing equipment, generator set, environmental water treatment, industrial kiln, boiler burner, matching with welding and cutting products and automation control system of related industries.



Normally closed standard product specifications

Type	Nominal diameter DN[mm]	Pipe thread [G]	J3 Differential pressure [bar]		J5 Differential pressure [bar]		J6 Differential pressure [bar]		J7 Differential pressure [bar]		J8 Differential pressure [bar]	
			AC	DC	AC	DC	AC	DC	AC	DC	AC	DC
ZCD01	1	G1/8"	0~40	0~40	-	-	-	-	-	-	-	-
ZCD02	2	G1/8"	0~25	0~25	-	-	-	-	-	-	-	-
ZCD03	3	G1/4"	0~10	0~10	-	-	-	-	-	-	-	-
ZCD05	5	G1/4"	0~6	0~3	-	-	-	-	-	-	-	-
ZCD15	10	G3/8"~G1/2"	-	-	0~1	0~1	0~4	0~3	0~2	0~1.5	-	-
ZCD20	15	G3/4"	-	-	-	-	0~1.5	0~1.5	0~1	0~1	-	-
ZCD25	20	G1"	-	-	-	-	-	-	-	-	0~1.5	0~1

Note: the above technical parameters are provided in accordance with the standards. Other grades of pressure or special requirements are subject to the agreement and the actual goods.

Normally closed standard product dimensions

Type	Nominal diameter DN[mm]	Pipe thread [G]	J3 Differential pressure [bar]		J5 Differential pressure [bar]		J6 Differential pressure [bar]		J7 Differential pressure [bar]		J8 Differential pressure [bar]		Mount orifice size
			L	H	L	H	L	H	L	H	L	H	
ZCD01	1	G1/8"	32	67	-	-	-	-	-	-	-	-	4-M4
ZCD02	2	G1/8"	46	70	-	-	-	-	-	-	-	-	4-M4
ZCD03	3	G1/4"	46	70	-	-	-	-	-	-	-	-	4-M4
ZCD05	5	G1/4"	46	70	-	-	-	-	-	-	-	-	4-M4
ZCD15	10	G3/8"~G1/2"	-	-	52	87	52	94	52	87	-	-	2-M5
ZCD20	15	G3/4"	-	-	-	-	61	110	61	103	-	-	-
ZCD25	20	G1"	-	-	-	-	-	-	-	-	83	146	-

Notes: 1. The above technical data and installation dimensions are standard designs. If added functional options or pipeline design is strict, you can ask "Overall drawing" from our company. Other pressure grade or special technical requirements shall be subject to the appointment of contract and physical products.
2. If the solenoid valve is used in explosion-proof conditions, please ask explosion-proof solenoid valve's "Overall drawing" from our company.