



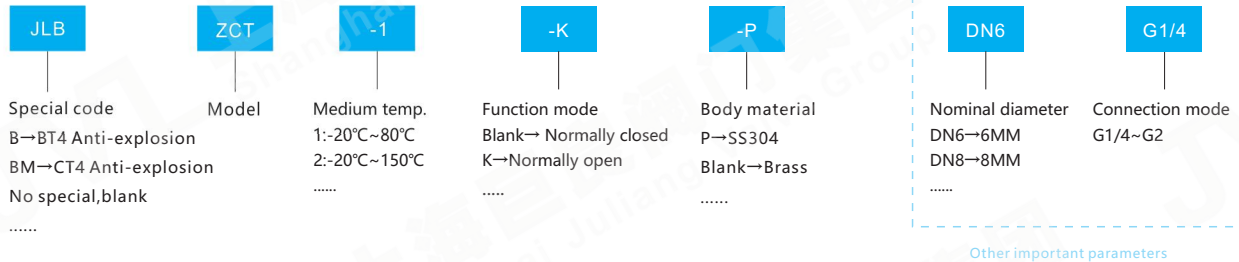
ZCT HIGH-END DIAPHRAGM SOLENOID VALVE

GERMAN HARDCOVER/REPLACE IMPORTED/WONDERFUL SKILLED/LONG LIFE

Valve selection

- The direction of arrow on the valve body must be consistent with the flow of the medium, if there is bi-directional flow, may select electric valve or pneumatic valve.
- If contain impurity particles in the fluid, the strainer should be installed in front of the valve according to the particle size(the mesh number \geq 80).
- The length of DC power cord should not be too long to avoid coil power loss and normal operation.
- Please give preference to the normally closed type in the design control plan.
- If you need explosion-proof solenoid valve, long duration power on and special voltage requirements, please consult before selecting the model.

Model Naming Method



Technical parameter

DN	DN6~50mm
Connection mode	English system G internal thread, American system NPT internal thread (other can be customized);
Principle	Pilot diaphragm type
Valve body material	Brass, SS304, and SS316(-RL) can be customized
Sealing material	NBR, FKM, others please consult
Suitable medium	Liquid, Gas, Steam, Oil etc
Medium temperature	1.-20°C~80°C 2.-20°C~150°C Others please consult
Ambient temperature	Standard type: -20°C~60°C
Installation mode	Horizontal installation, coil vertical upward (others please consult)
Protection level	Plastic sealing type:IP65 Encapsulation type:IP65 Flame-proof type:BT4:IP54

• Notes: Special conditions can be designed and manufactured according to the customer's actual conditions.

Power parameter

Supply Voltage	AC:220V DC:24V other voltages can be customized
Rated power	J3 AC22VA DC18W
Voltage deviation	±10%
Electrical connection	Standard type:DIN43650A/B, with standard junction box(M18x1.5) Anti-explosion type: standard type: M14x1.5 inner thread Power cord of IP54 can be replaced, but IP65 can't

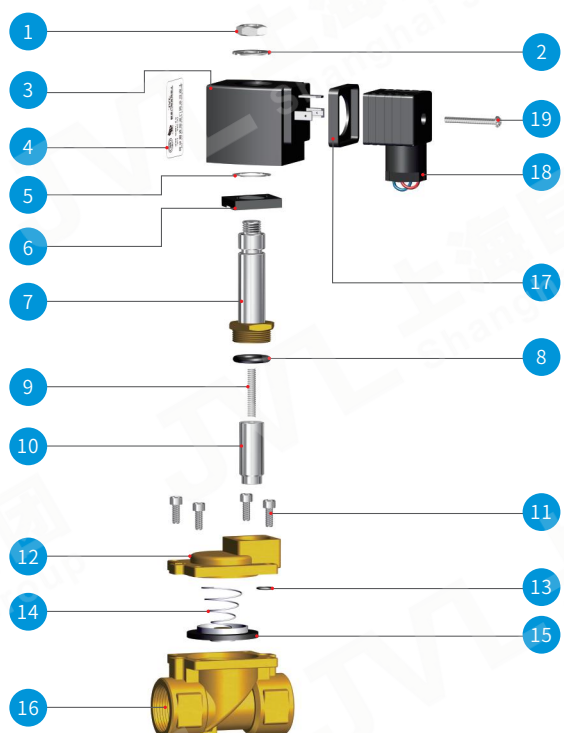
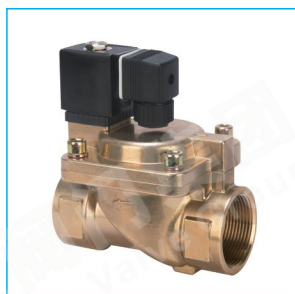
Product function selection

Symbol	Function mode	Content
Blank	Normally closed	Energized valve on, deenergized valve off
K	Normally open	Energized valve off, deenergized valve on
S	Manual device	Manual on-off valve
M	Energy saving device	Energy saving and reducing temperature rise
Notes	Anti-explosion level: Ex dbII BT4 Gb, Ex mbII T4 Gb Special device related qualification please ask for from our sales	

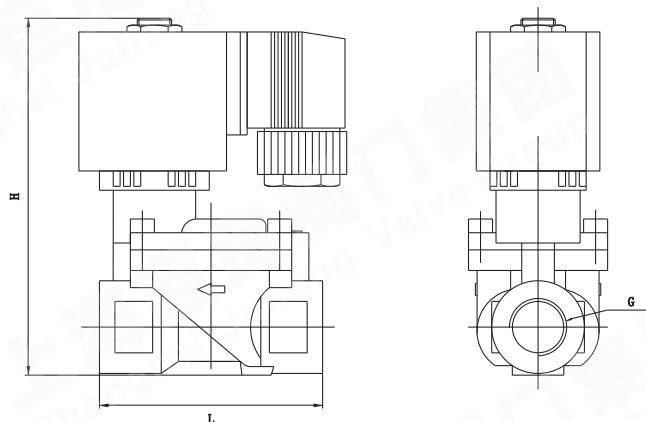
ZCT HIGH-END DIAPHRAGM SOLENOID VALVE

Product application: aerospace, national defense military industry, petrochemical industry, hvac, steel, metallurgy, electric power equipment, medical equipment, rubber and plastic machinery, food machinery, agricultural machinery, analytical instruments, humidifier, sulfur meter, water machine, die temperature machine, filling equipment, brewing equipment, dry cleaning equipment, generators, environmental protection water treatment, industrial kiln, boiler burner, welding and cutting products form a complete set of automation control system and related industry.

WIDELY USED/GOOD QUALITY/DELICATE APPEARANCE/RECOMMENDED PRODUCTS



Part component description			
NO.	Name	NO.	Name
1	M10 outer hex nut	11	Main bonnet fastening bolts
2	Flat washer	12	Main bonnet
3	Electromagnetic coil	13	Pilot hole seal
4	Name plate	14	Reset spring of main valve
5	Anti-shock spring washer	15	Main valve diaphragm assembly
6	Pilot bonnet housing	16	Valve body
7	Pilot bonnet component	17	Protective pad for junction box
8	Pilot bonnet seal	18	Junction box
9	Reset spring	19	M3 bolt
10	Moving iron core component		



Normally closed standard product specifications & dimensions

Type	Nominal diameter DN[mm]	Pipe thread [G]	Differential pressure range[bar]		L		H
			AC	DC	Brass	Stainless steel	
ZCT06	6	G1/4"	0.5~16	0.5~16	65	65	103
ZCT08	8	G3/8"	0.5~16	0.5~16	65	65	103
ZCT15	15	G1/2"	0.5~16	0.5~16	65	65	103
ZCT20	20	G3/4"	0.5~16	0.5~16	69	71	108
ZCT25	25	G1"	0.5~16	0.5~16	92	92	120
ZCT32	32	G1-1/4"	0.7~16	0.7~16	125	125	143
ZCT40	40	G1-1/2"	0.7~16	0.7~16	125	125	143
ZCT50	50	G2"	0.7~16	0.7~16	150	150	160

- Notes: 1.The above technical data and installation dimensions are standard designs. If added functional options or pipeline design is strict, you can ask "Overall drawing" from our company. Other pressure grade or special technical requirements shall be subject to the appointment of contract and physical products.
- 2.If the solenoid valve is used in explosion-proof conditions, please ask explosion-proof solenoid valve's "Overall drawing" from our company.