



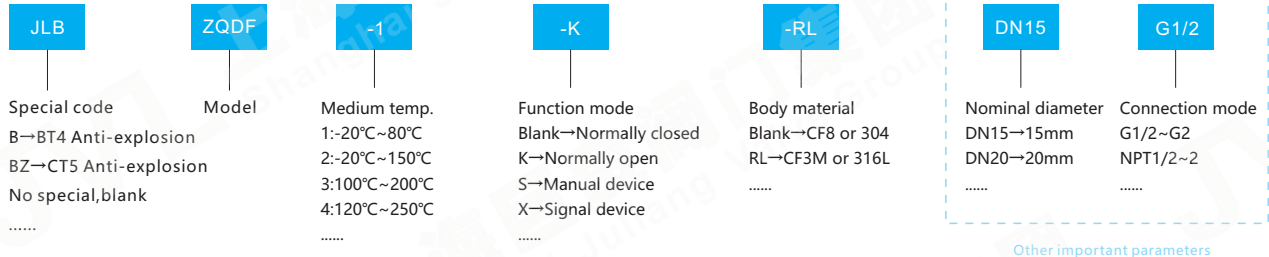
# ZQDF LONG LIFE PISTON SOLENOID VALVE

JVL THE CHOICEST GOODS/TESTED FOR A LONG TIME/PISTON STRUCTURE/SKILLED TECHNOLOGY

## Valve selection

- The direction of arrow on the valve body must be consistent with the flow of the medium, if there is bi-directional flow, may select electric valve or pneumatic valve.
- If contain impurity particles in the fluid, the strainer should be installed in front of the valve according to the particle size (the mesh number $\geq$ 80).
- The length of DC power cord should not be too long to avoid coil power loss and normal operation.
- Please give preference to the normally closed type in the design control plan.
- If you need explosion-proof solenoid valve, vacuum solenoid valve, long duration power on and special voltage requirements, please consult before selecting the model.

## Model Naming Method



## Technical parameter

DN	DN15~50mm
Connection mode	English system G internal thread, American system NPT internal thread (other can be customized)
Principle	Distributed direct acting mode, distributed pilot mode
Valve body material	SS304, and SS316L(-RL) can be customized
Sealing material	NBR, FKM, PTFE, others please consult
Suitable medium	Vapor, Liquid, Gas, Oil and Vacuum ect.
Medium temperature	1.-20°C~80°C 2.-20°C~150°C 3.100°C~200°C 4.120°C~250°C others please consult
Ambient temperature	Standard type: -20°C~60°C
Installation mode	Horizontal installation, coil vertical upward (others please consult)
Protection level	Iron housing type:IP54 Explosion-proof type:BT4:IP54 CT5:IP65

•Notes: Special conditions can be designed and manufactured according to the customer's actual conditions.

## Power parameter

Supply Voltage	AC:220V DC:24V other voltages can be customized
Rated power	J10 AC50VA DC48W
Voltage deviation	±10%
Electrical connection	Standard type:DIN43650A, standard junction box(M18x1.5) Anti-explosion type:Standard G1/2" inner thread Power cord of IP54 can be replaced, but IP65 can't

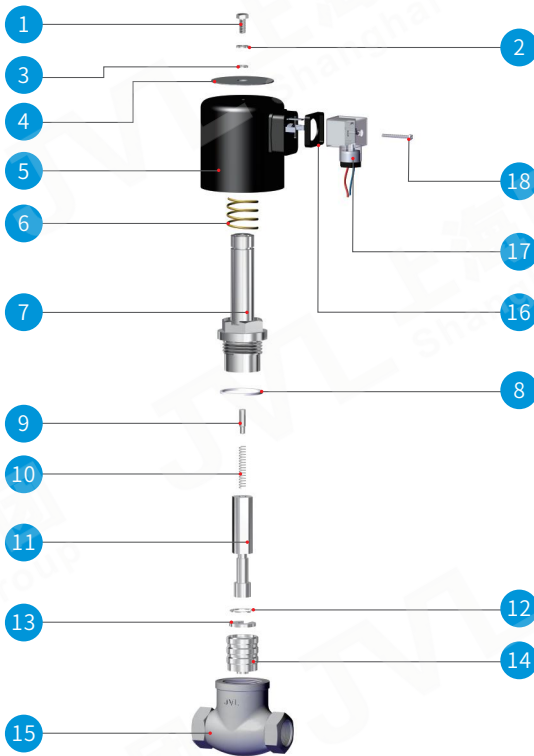
## Product function selection

Symbol	Function mode	Content
Blank	Normally closed	Energized valve on, deenergized valve off
K	Normally open	Energized valve off, deenergized valve on
X	Signal feedback	Passive contact signal feedback, reflect on-off state of valve
S	Hand device	Manual on-off type
ZK	Vacuum mode	Suitable for vacuum condition
D	With timer	Set time switch interval
Notes	Anti-explosion level: Ex dbII BT4 Gb, Ex dbII CT5 Gb special device related qualification please ask for from our sales	

# ZQDF LONG LIFE PISTON SOLENOID VALVE

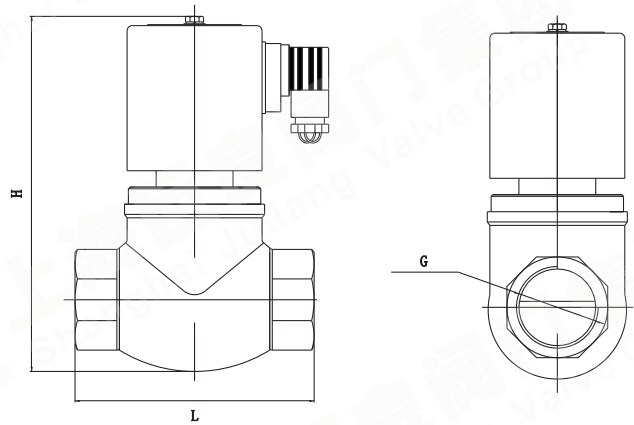
Application: aerospace, national defense, petrochemical industry, HVAC, steel iron metallurgy, electric power equipment, medical equipment, food machinery, agricultural machinery, Analytical instrument, humidifier, generator set, environmental protection water treatment, industrial furnace, boiler burner, filling equipment, brewing Equipment, drying equipment, vacuum equipment and other products supporting and related industry automation control system.

MILITARY ACCESSORIES/WIDELY USED/COMPLETE FUNCTIONS/SUPER LONG LIFETIME



### Part component description

NO.	Name	NO.	Name
1	M6 outer hex nut	10	Reset spring
2	D6 spring washer	11	Moving iron core component
3	D6 flat washer	12	Clip of orifice
4	Name plate	13	Main valve core cover
5	Electromagnetic coil	14	Main valve core
6	Anti-shock spring washer	15	Valve body
7	Bonnet component	16	Protective pad for junction box
8	Bonnet seal unit	17	Junction box
9	Reset top rod	18	M3 thread



### Normally closed standard product specifications & dimensions

Type	Nominal diameter DN[mm]	Pipe thread [G]	Differential pressure range[bar]				L	H
			Distributed direct acting mode		Distributed pilot mode			
			AC	DC	AC	DC		
ZQDF15	15	G1/2"	0~16	0~10	-	-	68	102
ZQDF20	20	G3/4"	0~16	0~16	0.5~25	0.5~25	93	178
ZQDF25	25	G1"	0~16	0~14	0.5~25	0.5~25	108	183
ZQDF32	32	G1-1/4"	0~15	0~12	0.5~25	0.5~25	120	193
ZQDF40	40	G1-1/2"	0~10	0~8	0.5~25	0.5~25	140	208
ZQDF50	50	G2"	0~6	0~4	0.5~25	0.5~25	160	225

Notes: 1. The above technical data and installation dimensions are standard designs. If added functional options or pipeline design is strict, you can ask "Overall drawing" from our company. Other pressure grade or special technical requirements shall be subject to the appointment of contract and physical products..  
2. If the solenoid valve is used in explosion-proof conditions, please ask explosion-proof solenoid valve's "Overall drawing" from our company.