



ZBSF FLANGE STAINLESS STEEL PISTON SOLENOID VALVE

JVL THE CHOICEST GOODS/TESTED FOR A LONG TIME/PISTON STRUCTURE/SKILLED TECHNOLOGY

Valve selection

- The direction of arrow on the valve body must be consistent with the flow of the medium, if there is bi-directional flow, may select electric valve or pneumatic valve.
- If contain impurity particles in the fluid, the strainer should be installed in front of the valve according to the particle size (the mesh number_≥80).
- The length of DC power cord should not be too long to avoid coil power loss and normal operation.
- Please give preference to the normally closed type in the design control plan.
- If you need explosion-proof solenoid valve, vacuum solenoid valve, long duration power on and special voltage requirements, please consult before selecting the model.

Model Naming Method

JLB	ZBSF	-1	-K	-RL	DN15	HG/T
Special code	Model	Medium temp.	Function mode	Body material	Nominal diameter	Flange executive standard
B→BT4 Anti-explosion BZ→CT5 Anti-explosion No special, blank		1:-20°C~80°C 2:-20°C~150°C 3:100°C~200°C 4:120°C~250°C	Blank→Normally closed K→Normally open S→Manual device X→Signal device	Blank→CF8 or 304 RL→CF3M or 316L C→WCB or Cast steel	DN15→15mm DN20→20mm	Blank→Flange Flange→HG/T Flange→SH/T

Other important parameters

Technical parameter

DN	DN15~50mm
Connection mode	Flange (Executive standard: JB/T 79.1-94, chemical, petrol, American standard can be customized)
Principle	Distributed direct motion mode, Distributed pilot mode
Valve body material	Carbon steel, SS304, and SS316L(-RL) can be customized
Sealing material	NBR, PTFE, others please consult
Suitable medium	Vapor, Liquid, Gas, Oil and Vacuum, etc.
Medium temperature	1.-20°C~80°C 2.-20°C~150°C 3.100°C~200°C 4.120°C~250°C others please consult
Ambient temperature	Standard type: -20°C~60°C
Installation mode	Horizontal installation, coil vertical upward (others please consult)
Protection level	Iron housing type: IP54 Explosion-proof type: BT4: IP54 CT5: IP65

•Notes: Special conditions can be designed and manufactured according to the customer's actual conditions.

Power parameter

Supply Voltage	AC:220V DC:24V other voltages can be customized
Rated power	J10 AC50VA DC48W
Voltage deviation	±10%
Electrical connection	Standard type: DIN43650A, Standard junction box(M18x1.5) Anti-explosion type: Standard G1/2" inner thread Power cord of IP54 can be replaced, but IP65 can't

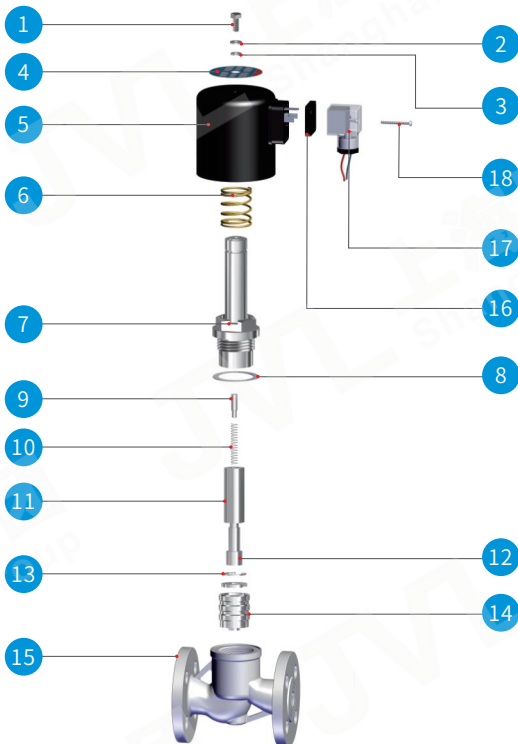
Product function selection

Symbol	Function mode	Content
Blank	Normally closed	Energized valve on, deenergized valve off
K	Normally open	Energized valve off, deenergized valve on
X	Signal feedback	Passive contact signal feedback, reflect on-off state of valve
S	Hand device	Manual on-off type
ZK	Vacuum mode	Suitable for vacuum condition
D	With timer	Set time switch interval
Notes	Anti-explosion level: Ex dbII BT4 Gb, Ex dbII CT5 Gb special device related qualification please ask for from our sales	

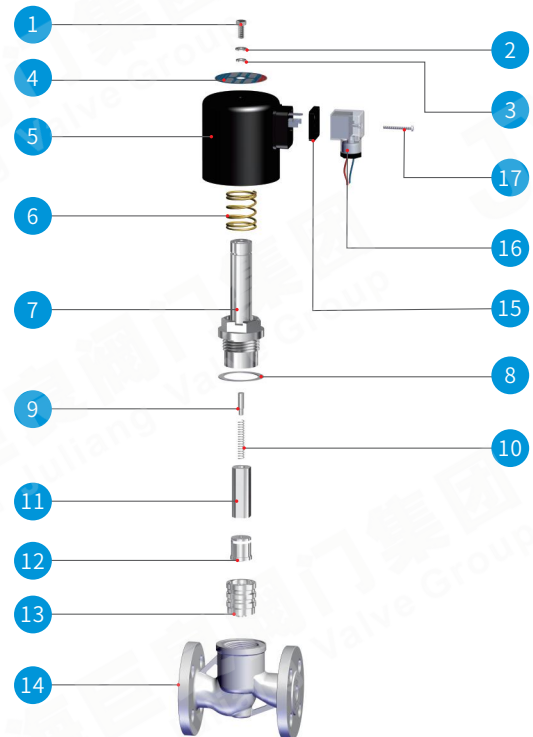
ZBSF**FLANGE STAINLESS STEEL
PISTON SOLENOID VALVE****JVL®**

Application: Aerospace and aviation, national defense, petrochemical industry, HVAC, Iron and steel metallurgy, electric equipment, medical equipment, food machinery, agriculture industrial machinery, analytical instruments, humidifiers, generator sets, environmental water treatment, industry Kilns, boiler burners, filling equipment, brewing equipment, drying equipment, vacuum equipment and other products supporting and related industry automation control system.

MILITARY ACCESSORIES/WIDELY USED/COMPLETE FUNCTIONS/SUPER LONG LIFETIME



Step by step direct action(Figure 1)



Step by step pilot(Figure 2)

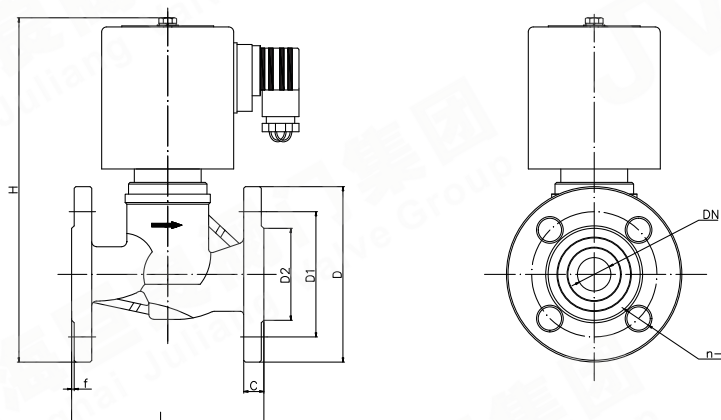
Part component description(Figure 1)

NO.	Name	NO.	Name
1	M6 outer hex nut	10	Reset spring
2	D6 spring washer	11	Moving iron core component
3	D6 flat washer	12	Clipo fo rifice
4	Name plate	13	Main valve core cover
5	Electromagnetic coil	14	Main valve core component
6	Anti-shock spring	15	Valve body
7	Bonnet component	16	Proctective pad for junction box
8	Bonnet seal unit	17	Junction box
9	Reset to prod	18	M3 bolt

Part component description(Figure 2)

NO.	Name	NO.	Name
1	M6 outer hex nut	10	Reset spring
2	D6 spring washer	11	Moving iron core component
3	D6 flat washer	12	Small valve core unit
4	Name plate	13	Main valve core component
5	Electromagnetic coil	14	Valve body
6	Anti-shock spring	15	Protective pad for junction box
7	Bonnet component	16	Junction box
8	Bonnet seal unit	17	M3 bolt
9	Reset to prod		

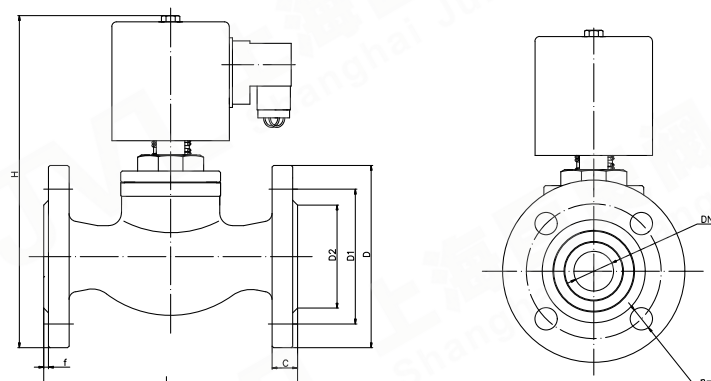
Application: Aerospace and aviation, national defense, petrochemical industry, HVAC, Iron and steel metallurgy, electric equipment, medical equipment, food machinery, agriculture industrial machinery, analytical instruments, humidifiers, generator sets, environmental water treatment, industry Kilns, boiler burners, filling equipment, brewing equipment, drying equipment, vacuum equipment and other products supporting and related industry automation control system.



Stainless Normally close standard part parameter & outer dimension

Flange executive standard: JB/T 79.1-94

Type	Nominal diameter DN[mm]	Differential pressure range[bar]				L	H	D	Flange size				
		Distributed direct acting mode		Distributed pilot mode					D1	D2	n-d	f	C
		AC	DC	AC	DC								
ZBSF15	15	0~16	0~16	0.5~25	0.5~25	115	198	φ95	φ65	φ44	4-φ14	2	12
ZBSF20	20	0~16	0~16	0.5~25	0.5~25	115	206	φ105	φ75	φ55	4-φ14	2	12
ZBSF25	25	0~16	0~14	0.5~25	0.5~25	125	211	φ115	φ85	φ65	4-φ14	2	12
ZBSF32	32	0~15	0~12	0.5~25	0.5~25	150	223	φ134	φ99	φ72	4-φ18	2	15
ZBSF40	40	0~10	0~8	0.5~25	0.5~25	164	241	φ144	φ110	φ82	4-φ18	2	16
ZBSF50	50	0~6	0~4	0.5~25	0.5~25	188	256	φ156	φ125	φ96	4-φ18	2	16



Cast steel Normally close Part parameter & outer dimension

Flange executive standard: HG/T 20592-2009

Type	Nominal diameter DN[mm]	Differential pressure range[bar]				L	H	D	Flange size				
		Distributed direct acting mode		Distributed pilot mode					D1	D2	n-d	f	C
		AC	DC	AC	DC								
ZBSF-C	20	0~16	0~16	0.5~25	0.5~25	150	232	φ105	φ75	φ56	4-φ14	2	16
ZBSF-C	25	0~16	0~14	0.5~25	0.5~25	160	253	φ115	φ85	φ65	4-φ14	3	16
ZBSF-C	32	0~15	0~12	0.5~25	0.5~25	180	275	φ140	φ100	φ76	4-φ18	3	18
ZBSF-C	40	0~10	0~8	0.5~25	0.5~25	200	297	φ150	φ110	φ84	4-φ18	3	18
ZBSF-C	50	0~6	0~4	0.5~25	0.5~25	230	318	φ165	φ125	φ99	4-φ18	3	20

- Notes: 1. The above technical data and installation dimensions are standard designs. If added functional options or pipeline design is strict, you can ask "Overall drawing" from our company. Other pressure grade or special technical requirements shall be subject to the appointment of contract and physical products.
- 2. If the solenoid valve is used in explosion-proof conditions, please ask explosion-proof solenoid valve's "Overall drawing" from our company.

「梦想」多大
就能飞多高

How can dream fly high
Nothing is impossible to a willing heart!



为世界造好阀，展现大国工匠精神

To make the world a good valve, to show the spirit of great craftsmen