



ZCE COMPACT HIGH-END PILOT PISTON SOLENOID VALVE

GERMAN HARDCOVER/REPLACING IMPORTED GOODS/SIMPLE STRUCTURE/SUPER LONG LIFE

Valve selection

- The direction of arrow on the valve body must be consistent with the flow of the medium, if there is bi-directional flow, may select electric valve or pneumatic valve.
- If contain impurity particles in the fluid, the strainer should be installed in front of the valve according to the particle size (the mesh number \geq 80).
- The length of DC power cord should not be too long to avoid coil power loss and normal operation.
- Please give preference to the normally closed type in the design control plan.
- If you need explosion-proof solenoid valve, long duration power on and special voltage requirements, please consult before selecting the model.

Model Naming Method

JLB	ZCE	-1	-K	-RL	DN20	G1/2
Special code	Model	Medium temp.	Function mode	Body material	Nominal diameter	Connection mode
B→BT4 Anti-explosion BZ→CT5 Anti-explosion No special, blank		1:-20°C~80°C 2:-20°C~150°C 3:100°C~200°C 4:120°C~250°C	Blank→Normally closed K→Normally open S→Manual device X→Signal device	Blank→CF8 or 304 R→CF8M or 316 RL→CF3M or 316L	DN20→20mm DN25→25mm	G3/4~G2 NPT3/4~2
						Other important parameters

Technical parameter

DN	DN20~50mm
Connection mode	English system G internal thread, American system NPT internal thread (other can be customized)
Principle	Distributed pilot mode
Valve body material	SS304, and SS316(-R), SS316L(-RL)
Sealing material	NBR, FKM, PTFE, others please consult
Suitable medium	Liquid, Gas, Vapor, Oil etc.
Medium temperature	1.-20°C~80°C 2.-20°C~150°C 3.100°C~200°C 4.120°C~250°C others please consult
Ambient temperature	Standard type: -20°C~60°C
Installation mode	Horizontal installation, coil vertical upward (others please consult)
Protection level	Iron housing type:IP54 Plastic sealing type:IP65 Explosion-proof type:BT4:IP54 CT5:IP65

•Notes: Special conditions can be designed and manufactured according to the customer's actual conditions.

Power parameter

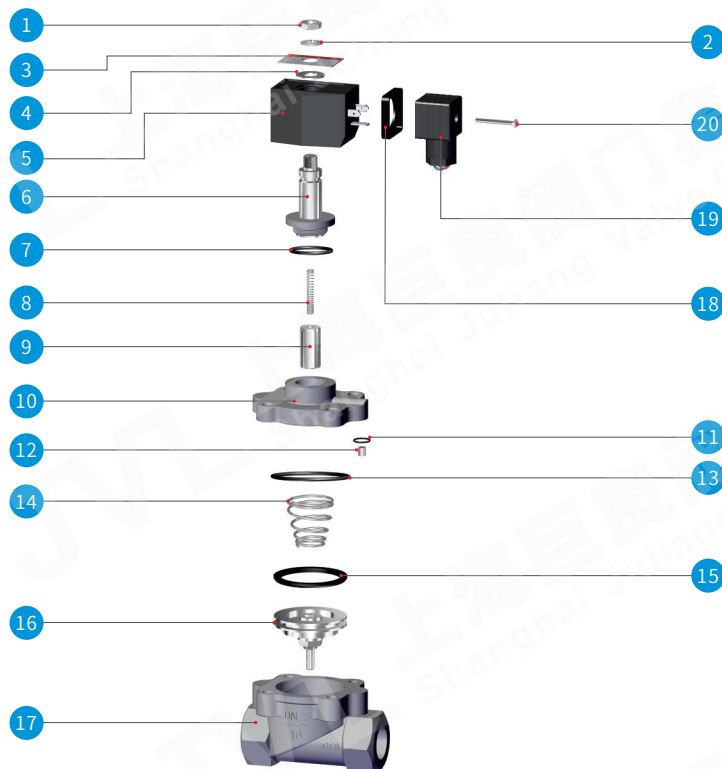
Supply Voltage	AC:220V DC:24V other voltages can be customized
Rated power	J5 AC20VA DC19W
	J7 AC22VA DC25W
	J8 AC40VA DC37W
Voltage deviation	±10%
Electrical connection	Standard type:DIN43650B Standard junction box(M18x1.5) Anti-explosion type:Standard M14x1.5 or G1/2"inner thread Power cord of IP54 can be replaced, but IP65 can't

Product function selection

Symbol	Function mode	Content
Blank	Normally closed	Energized valve on, deenergized valve off
K	Normally open	Energized valve off, deenergized valve on
X	Signal feedback	Passive contact signal feedback, reflect on-off state of valve
S	Hand device	Manual on-off valve
M	Energy-saving device	Energy saving and reducing temperature rise
Notes	Anti-explosion level: Ex dbII BT4 Gb, Ex dbII CT5 Gb special device related qualification please ask for from our sales	

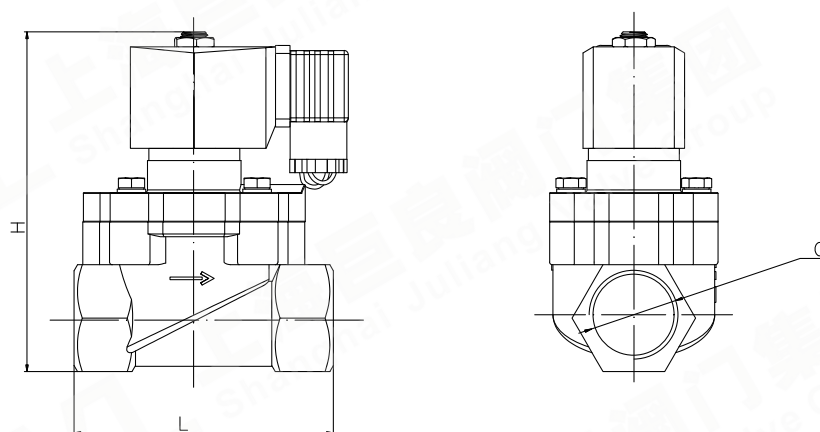
MILITARY SUPPORTING GOOD QUALITY/RECOMMENDED PRODUCTS/ECONOMICAL AND APPLICABLE

Applications: medical equipment, food machinery, agricultural machinery, analytical instruments, humidifier, sulfur meter, water dispenser, mold temperature machine, bottle blowing machine, filling equipment, brewing equipment, generator set, environmental water treatment, industrial kiln, boiler burner, welding cutting and matching with welding and cutting products and automation control system of related industries.



Part component description

NO.	Name
1	M10 outer hex nut
2	D10 spring washer
3	Name plate
4	Flat washer
5	Electromagnetic coil
6	Pilot bonnet component
7	Pilot bonnet seal
8	Reset spring
9	Moving iron core component
10	Main bonnet
11	Pilot hole seal unit
12	Pilot hole throttling pipe
13	Main bonnet seal
14	Reset spring of the main valve
15	Elastic seal ring of the main valve Core
16	Main valve core component
17	Valve body
18	Protective pad for junction box
19	Junction box
20	M3 bolt



Normally closed standard product specifications & dimensions

Type	Nominal diameter DN[mm]	Pipe thread [G]	Differential pressure range[bar]		Outer shape dimension	
			AC	DC	L	H
ZCE20	20	G3/4"	0.5~25	0.5~25	85	122
ZCE25	25	G1"	0.5~25	0.5~25	95	125
ZCE32	32	G1-1/4"	0.5~25	0.5~25	115	142
ZCE40	40	G1-1/2"	0.5~25	0.5~25	130	147
ZCE50	50	G2"	0.5~25	0.5~25	145	200

Notes: 1. The above technical data and installation dimensions are standard designs. If added functional options or pipeline design is strict, you can ask "Overall drawing" from our company. Other pressure grade or special technical requirements shall be subject to the appointment of contract and physical products.
2. If the solenoid valve is used in explosion-proof conditions, please ask explosion-proof solenoid valve's "Overall drawing" from our company.