



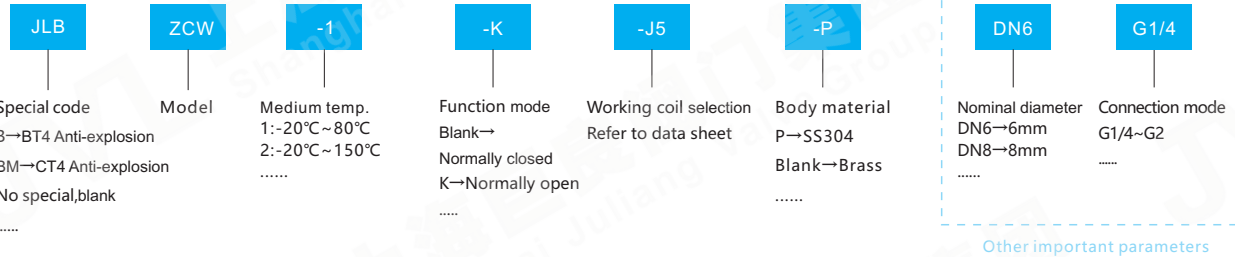
ZCW START ZERO PRESSURE DIAPHRAGM SOLENOID VALVE

WIDELY USED/REPLACING IMPORTED PRODUCTS/STRUCTURE SIMPLE/RELIABLE PERFORMANCE

Valve selection

- The direction of arrow on the valve body must be consistent with the flow of the medium, if there is bi-directional flow, may select electric valve or pneumatic valve.
- If contain impurity particles in the fluid, the strainer should be installed in front of the valve according to the particle size(the mesh number ≥ 80).
- The length of DC power cord should not be too long to avoid coil power loss and normal operation.
- Please give preference to the normally closed type in the design control plan.
- If you need explosion-proof solenoid valve, long duration power on and special voltage requirements, please consult before selecting the model.

Model Naming Method



Technical parameter

DN	DN4~50mm
Connection mode	English system G internal thread(be customized NPT thread)
Principle	Distributed direct motion mode
Valve body material	Brass, SS304, and SS316(-R) can be customized
Sealing material	NBR, FKM, other material please consult
Suitable medium	Gas, Liquid, Oil etc.
Medium temperature	1.-20°C~80°C 2.-20°C~150°C others please consult
Ambient temperature	Standard type: -20°C~60°C
Installation mode	Horizontal installation, coil vertical upward (others please consult)
Protection level	Iron Housing type:IP54 Plastic sealing type:IP65 Encapsulating type:IP65 Explosion-proof type:BT4:IP54

• Notes: Special conditions can be designed and manufactured according to the customer's actual conditions.

Power parameter

Supply Voltage	AC:220V DC:24V other voltages can be customized
Rated power	J5 AC20VA DC19W J7 AC22VA DC25W
Voltage deviation	±10%
Electrical connection	Standard type: Straight line or DIN43650A/B Standard junction box(M18x1.5) Anti-explosion type: Standard M14x1.5 inner thread Power cord of IP54 can be replaced, but IP65 can't

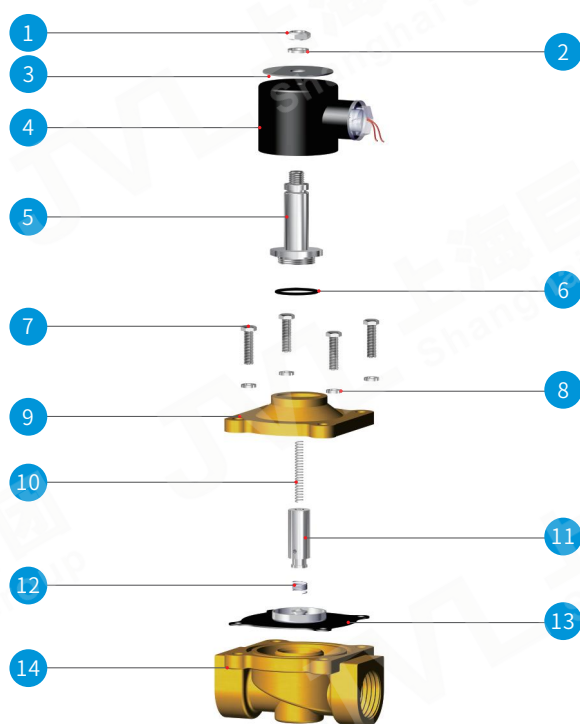
Product function selection

Symbol	Function mode	Content
Omitted	Normally closed	Energized valve on, deenergized valve off
K	Normally open	Energized valve off, deenergized valve on
M	Energy-saving device	Energy saving and reducing temperature rise
Notes	Anti-explosion type:: Ex dbII BT4 Gb, Ex mbII T4 Gb special device related qualification please ask for from our sales	

ZCW START ZERO PRESSURE
DIAPHRAGM SOLENOID VALVE

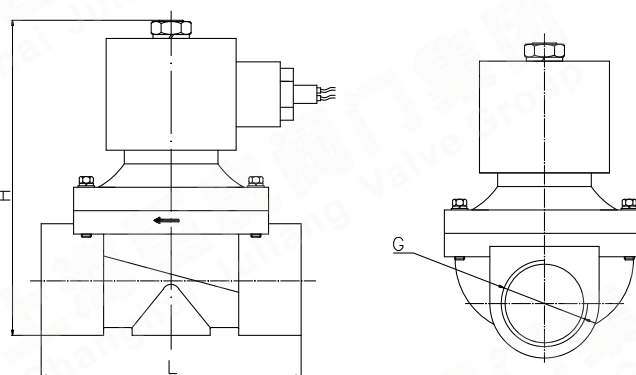
Application: solar energy equipment, medical equipment, food machinery, agricultural machinery, analytical instruments, sulfur meter, water dispenser, cleaning equipment, packaging machinery, filling equipment, military equipment, textile printing and dyeing, HVAC, generator set, environmental water treatment, industry Kilns, boiler burners, matching with welding and cutting products and automation control system of related industries.

MILITARY ACCESSORIES/GOOD QUALITY/SKILLED TECHNOLOGY/ RECOMMENDED PRODUCTS



Part component description

NO.	Name	NO.	Name
1	M10 outer hex nut	8	Spring washer
2	D10 spring washer	9	Main bonnet
3	Name plate	10	Reset spring
4	Electromagnetic coil	11	Moving iron core component
5	Bonnet component	12	Diaphragm tension spring
6	Bonnet seal	13	Main valve diaphragm
7	Bonnet fastening bolt	14	Valve body



Normally closed standard product specifications & dimensions

Type	Nominal diameter DN[mm]	Pipe thread [G]	Normally closed pressure range[bar]		Normally open pressure range[bar]		L		H	
			AC	DC	AC	DC	Brass	Stainless steel	Brass	Stainless steel
ZCW4~6	4~6	G1/4"	0~10	0~8	1~6	1~6	54	54	54	81
ZCW8~10	8~10	G3/8"	0~10	0~8	1~6	1~6	68	68	105	107
ZCW15	15	G1/2"	0~10	0~8	1~6	1~6	68	68	105	107
ZCW20	20	G3/4"	0~10	0~8	1~6	1~6	73	73	112	124
ZCW25	25	G1"	0~6	0~6	1~6	1~6	100	100	124	124
ZCW32	32	G1-1/4"	0~6	0~6	1~6	1~6	110	116	154	159
ZCW40	40	G1-1/2"	0~6	0~6	1~6	1~6	120	122	165	166
ZCW50	50	G2"	0~6	0~6	1~6	1~6	153	167	185	185

● Notes : 1.The above technical data and installation dimensions are standard designs. If added functional options or pipeline design is strict, you can ask "Overall drawing" from our company. Other pressure grade or special technical requirements shall be subject to the appointment of contract and physical products.
2.If the solenoid valve is used in explosion-proof conditions, please ask explosion-proof solenoid valve's "Overall drawing" from our company.