



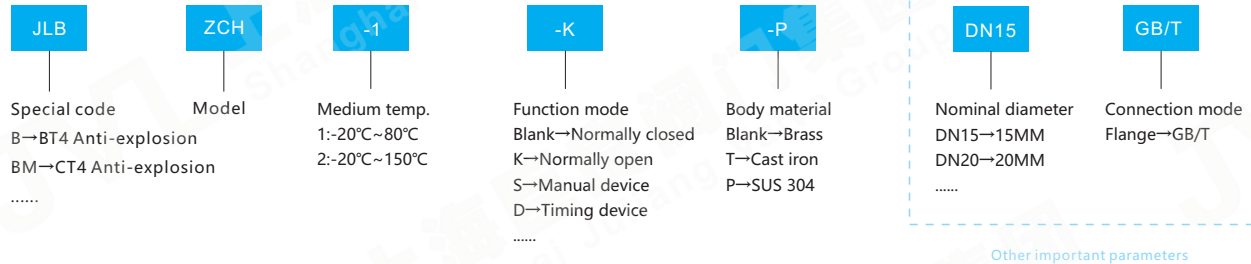
# ZCH ZERO PRESSURE START SOLENOID VALVE DIAPHRAGM

JVL THE CHOICEST GOODS ZERO VOLTAGE START SKILLED TECHNOLOGY/WIDELY USED

## Valve selection

- The direction of arrow on the valve body must be consistent with the flow of the medium, if there is bi-directional flow, may select electric valve or pneumatic valve.
- If contain impurity particles in the fluid, the strainer should be installed in front of the valve according to the particle size (the mesh number  $\geq 80$ ).
- The length of DC power cord should not be too long to avoid coil power loss and normal operation.
- Please give preference to the normally closed type in the design control plan.
- If you need explosion-proof solenoid valve, long duration power on and special voltage requirements, please consult before selecting the model.

## Model naming method



## Technical parameter

DN	DN15~50mm
Connection mode	Flange executive standard GB/T 9113.1-2000
Principle	Distributed direct acting diaphragm mode
valve body material	Brass, cast iron, SS304
Sealing material	NBR, FKM, others please consult
Suitable medium	Water, Liquid, Gas etc.
Medium temperature	1. -20°C~80°C 2. -10°C~150°C
Ambient temperature	Standard type: -20°C~60°C
Installation mode	Horizontal installation, coil vertical upward (others please consult)
Protection level	Iron housing type:IP54 Plastic sealing type:IP65 Encapsulation type:IP65 Explosion-proof type:BT4:IP54

•Notes: Special conditions can be designed and manufactured according to the customer's actual conditions.

## Power parameter

Supply Voltage	AC:220V DC:24V other voltages can be customized
Rated power	J7 AC22VA DC25W
	J9 AC40VA DC35W
Voltage deviation	±10%
Electrical connection	Standard type: lead type or DIN43650A/B Standard junction box(M18x1.5) Anti-explosion type: standard M14x1.5 or G1/2"inner thread, built-in junction box Power cord of IP54 can be replaced, but IP65 can't

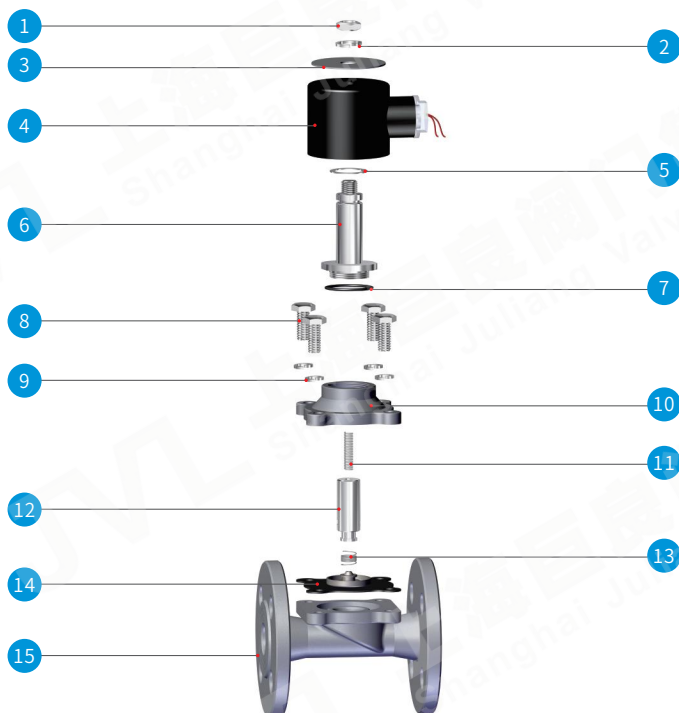
## Product function selection

Symbol	Function mode	Content
Blank	Normally closed	Energized valve on, deenergized valve off
K	Normally open	Energized valve off, deenergized valve on
S	Hand device	Hand switch valve
D	With timer	Set time switch interval
M	Energy save device	Energy saving and reducing temperature rise
Notes	Anti-explosion level: Ex db II BT4 Gb, Ex mb II T4 Gb special device related qualification please ask for from our sales	

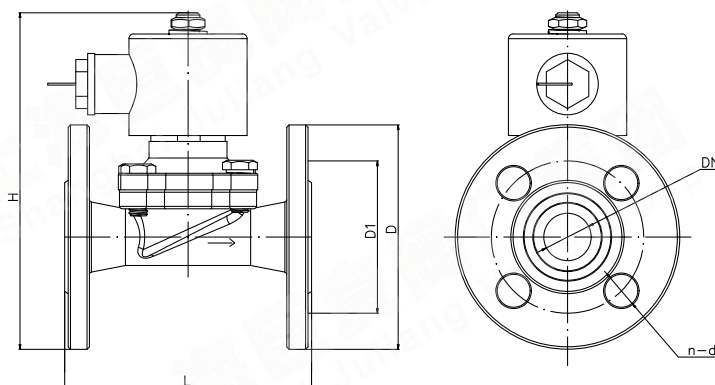
# ZCH ZERO PRESSURE START SOLENOID VALVE DIAPHRAGM

MILITARY SUPPORTING GOOD QUALITY/ECONOMICAL AND APPLICABLE

Application: generator sets, diesel engines, solar equipment, food machinery, environmental protection water treatment, HVAC, agricultural machinery, gas emergency shutoff, industrial kilns, boiler burners, welding and cutting and other product supporting and related industries' automation control systems .



Part component description	
NO.	Name
1	M10 outer hex nut
2	D10 spring washer
3	Name plate
4	Electromagnetic coil
5	Anti-shock spring washer
6	Main bonnet component
7	Main bonnet seal
8	Bonnet fastening bolt
9	Spring washer
10	Main bonnet
11	Reset spring
12	Moving iron core component
13	Diaphragm tension spring
14	Main valve diaphragm
15	Valve body



## Normally closed standard product specifications & dimensions Flange executive standard:GB/T 9113.1-2000

Type	Nominal diameter DN[mm]	J7 Differential pressure range[bar]		J9 Differential pressure range[bar]		L		H		Flange Size		
		AC	DC	AC	DC	Brass	Stainless steel	Brass	Stainless steel	D	D1	n-d
ZCH15	15	0~10	0~8	1~6	1~6	92	106	143	143	100	65	4-φ14
ZCH20	20	0~10	0~8	1~6	1~6	97	106	147	143	100	75	4-φ14
ZCH25	25	0~6	0~6	1~6	1~6	127	135	158	152	115	85	4-φ14
ZCH32	32	0~6	0~6	1~6	1~6	140	142	202	196	135	100	4-φ18
ZCH40	40	0~6	0~6	1~6	1~6	169	149	212	212	150	110	4-φ18
ZCH50	50	0~6	0~6	1~6	1~6	200	184	242	229	165	125	4-φ18
Cast iron flange dimensions												
ZCH40	40	0~6	0~6	1~6	1~6	-	165	217	215	150	110	4-φ18
ZCH50	50	0~6	0~6	1~6	1~6	-	195	227	240	165	125	4-φ18

Notes: 1. The above technical data and installation dimensions are standard designs. If you need additional functional options or special design, please contact our company. Other pressure grade or special technical requirements shall be subject to the appointment of contract and physical product. 2. If the solenoid valve is used in explosion-proof conditions, please ask explosion-proof solenoid valve's overall drawing from our company.