



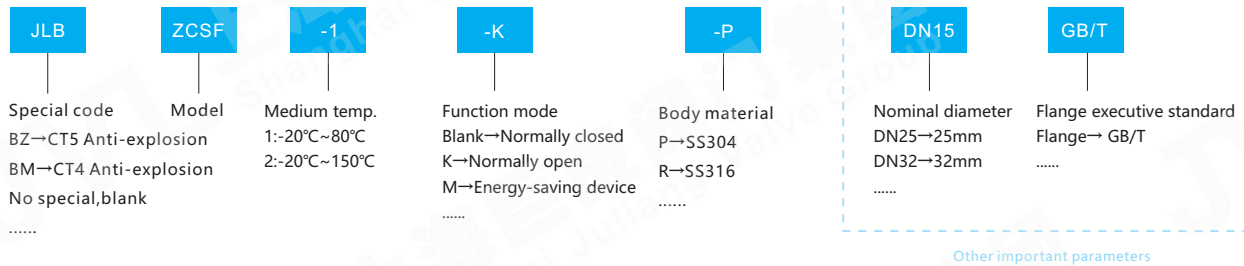
ZCSF PILOT FLANGED LARGE-DIAMETER DIAPHRAGM SOLENOID VALVE

DOMESTIC PRODUCTS/REPLACING IMPORTS/SIMPLE STRUCTURE/ULTRA-LONG LIFE

Valve selection

- The direction of arrow on the valve body must be consistent with the flow of the medium, if there is bi-directional flow, may select electric valve or pneumatic valve.
- If contain impurity particles in the fluid, the strainer should be installed in front of the valve according to the particle size (the mesh number ≥ 80).
- The length of DC power cord should not be too long to avoid coil power loss and normal operation.
- Please give preference to the normally closed type in the design control plan.
- If you need explosion-proof solenoid valve, long duration power on and special voltage requirements, please consult before selecting the model.

Model naming method



Technical parameter

DN	DN25~300mm
Connection mode	Flange connection, executive standard: GB/T 9113.1-2000
Principle	Pilot diaphragm mode
valve body material	Cast iron, SS304, SS316(-R) can be customized
Sealing material	NBR, FKM, others please consult
Suitable medium	Gas, Liquid, Oil etc.
Medium temperature	1.-20°C~80°C 2.-20°C~150°C others please consult
Ambient temperature	Standard type: -20°C~60°C
Installation mode	Horizontal installation, coil vertical upward (others please consult)
Protection level	Plastic sealing type: IP65 Encapsulation type: IP65 CT5: IP65

• Notes: Special conditions can be designed and manufactured according to the customer's actual conditions.

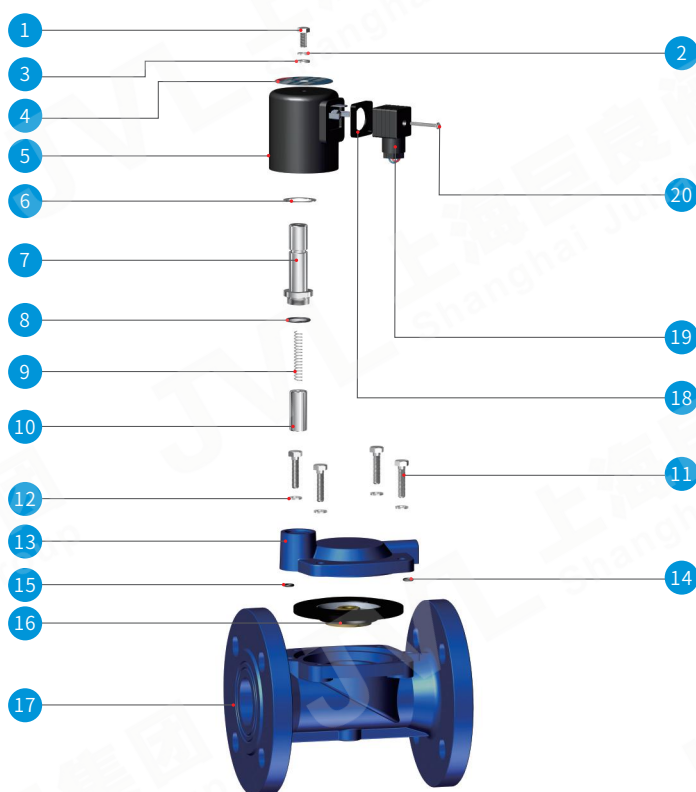
Power parameter

Supply Voltage	AC: 220V DC: 24V other voltages can be customized
Rated power	AC 32VA DC 32W
Voltage deviation	±10%
Electrical connection	Standard type: DIN43650A/B, Standard junction box (M18x1.5) Anti-explosion type: Standard M14x1.5 inner thread Power cord of IP54 can be replaced, but IP65 can't

ZCSF PILOT FLANGED LARGE-DIAMETER DIAPHRAGM SOLENOID VALVE

MILITARY EQUIPMENT/EXCELLENT QUALITY/RECOMMENDED PRODUCTS/ECONOMICAL AND APPLICABLE

Application: medical equipment, food machinery, agricultural machinery, analytical instruments, humidifiers, sulfur analyzers, drinking fountains, bottle blowing machines, filling equipment, brewing equipment, generator sets, environmental protection water treatment, industrial kilns, Boiler burner, welding and cutting and other product supporting and related industries' automation control systems .



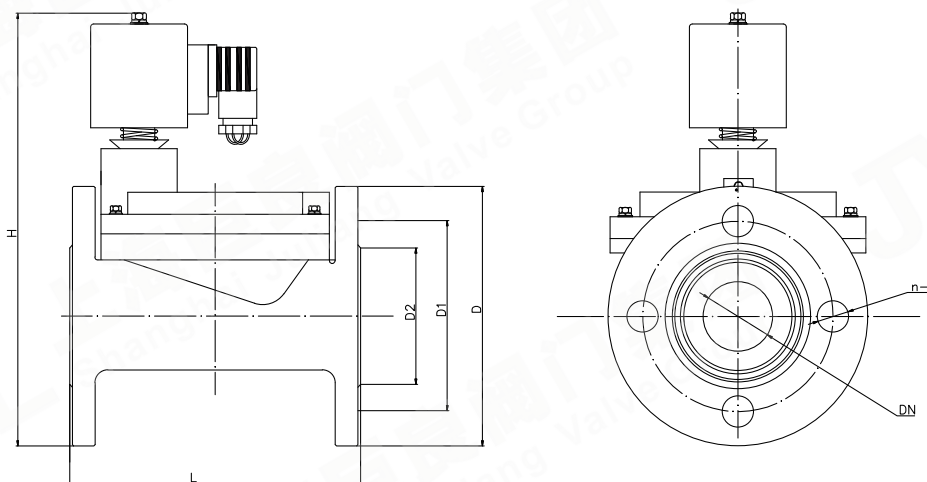
Part component description

NO.	Name
1	M6 outer hex nut
2	D6 spring washer
3	D6 flat washer
4	Name plate
5	Electromagnetic coil
6	Anti-shock spring washer
7	Pilot bonnet component
8	Pilot bonnet seal
9	Reset spring
10	Moving iron core component
11	Fastening bolt of pilot bonnet
12	Spring washer
13	Main bonnet
14	Inlet seal
15	Pilot hole seal
16	Main valve diaphragm
17	Valve body
18	Protective pad for junction box
19	Junction box
20	M3 bolt

Product function selection

Symbol	Function mode	Content	Symbol	Function mode	Content
Blank	Normally closed	Energized valve on, deenergized valve off	M	Energy-saving device	Energy saving and reducing temperature rise
K	Normally open	Energized valve off, deenergized valve on			
S	Hand device	Manual on-off valve			
D	With timer	Set time switch interval			
Notes	Anti-explosion level: Ex mbII T4 Gb、 Ex db II CT5 Gb special device related qualification please ask for from our sales				

Application: medical equipment, food machinery, agricultural machinery, analytical instruments, humidifiers, sulfur analyzers, drinking fountains, bottle blowing machines, filling equipment, brewing equipment, generator sets, environmental protection water treatment, industrial kilns, Boiler burner, welding and cutting and other product supporting and related industries' automation control systems .



Stainless Normally close standard part parameter & outer dimension

Flange executive standard:GB/T 9113.1-2000

Type	Nominal diameter DN[mm]	Normally closed pressure range[bar]		Normally open pressure range[bar]		L	H	D	D1	D2	n-d
		AC	DC	AC	DC						
ZCSF25-P	25	0.5~10	0.5~8	0.5~8	0.5~6	141	165	115	85	65	4-φ14
ZCSF32-P	32	0.5~10	0.5~8	0.5~8	0.5~6	158	185	145	100	76	4-φ18
ZCSF40-P	40	0.5~10	0.5~8	0.5~8	0.5~6	173	196	150	110	84	4-φ18
ZCSF50-P	50	0.5~10	0.5~8	0.5~8	0.5~6	204	200	165	125	99	4-φ18
ZCSF65-P	65	0.5~10	0.5~8	0.5~8	0.5~6	256	248	185	145	118	4-φ18
ZCSF80-P	80	1~10	1~8	1~8	1~6	277	268	200	160	132	8-φ18
ZCSF100-P	100	1~10	1~8	1~8	1~6	350	290	220	180	156	8-φ18

Cast steel Normally close Part parameter & outer dimension

Flange executive standard:GB/T 9113.1-2000

Type	Nominal diameter DN[mm]	Normally closed pressure range[bar]		Normally open pressure range[bar]		L	H	D	D1	D2	n-d
		AC	DC	AC	DC						
ZCSF40-T	40	0.5~10	0.5~8	0.5~8	0.5~6	170	196	150	110	84	4-φ18
ZCSF50-T	50	0.5~10	0.5~8	0.5~8	0.5~6	200	200	165	125	99	4-φ18
ZCSF65-T	65	0.5~10	0.5~8	0.5~8	0.5~6	260	277	185	145	118	4-φ18
ZCSF80-T	80	1~10	1~8	1~8	1~6	278	289	200	160	132	8-φ18
ZCSF100-T	100	1~10	1~8	1~8	1~6	350	320	220	180	156	8-φ18
ZCSF125-T	125	1.5~8	1.5~8	1.5~8	1.5~6	425	400	250	210	184	8-φ18
ZCSF150-T	150	1.5~8	1.5~8	1.5~8	1.5~6	450	430	285	240	211	8-φ22
ZCSF200-T	200	1.5~8	1.5~8	1.5~8	1.5~6	560	516	340	295	266	8-φ22
ZCSF250-T	250	1.5~8	1.5~8	1.5~8	1.5~6	730	627	395	350	319	12-φ22
ZCSF300-T	300	1.5~8	1.5~8	1.5~8	1.5~6	850	702	445	400	370	12-φ22

- Notes: 1. The above technical data and installation dimensions are standard designs for added functional options or special design is strict, you can ask "Overall drawing" from our company. Other pressure grade or special technical requirements shall be subject to the appointment of contract and physical product.
- 2. If the solenoid valve is used in explosion-proof conditions, please ask explosion-proof solenoid valve's "Overall drawing" from our company.

目标

每一步都自有价值。
 这并不够，应该每下就是一个目标，
 每走一步都走向一个终于要达到的目标，



为世界造好阀，展现大国工匠精神

To make the world a good valve, to show the spirit of great craftsmen