



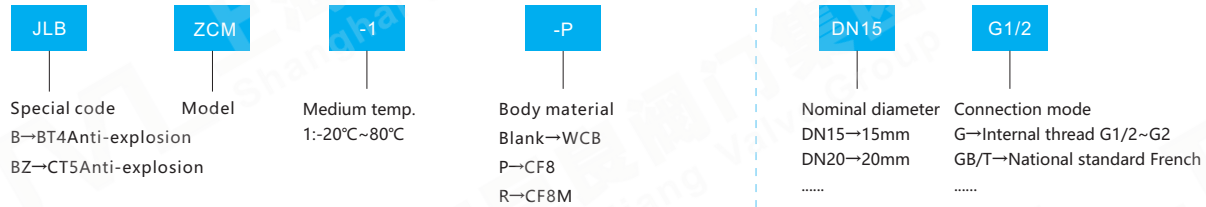
# ZCM LARGE DIAMETER GAS SOLENOID VALVE

EXQUISITE TECHNIQUE/TESTED FOR A LONG TIME/ZERO PRESSURE OPENING AND CLOSING

## Valve selection

- The direction of arrow on the valve body must be consistent with the flow of the medium, if there is bi-directional flow, may select electric valve or pneumatic valve.
- If contain impurity particles in the fluid, the filter screen should be installed in front of the valve according to the particle size (the filter net  $\geq 80$  mesh).
- The length of DC power cord should not be too long to avoid coil power loss and normal operation.
- Please give preference to the normally closed type in the design control plan.
- If you need explosion-proof solenoid valve, long duration power on and special voltage requirements, please consult before selecting the model.

## Model naming method



Other important parameters

## Technical parameter

DN	DN15~500mm
Connection mode	English system G internal thread, Flange GB/T9113.1-2000
Principle	Direct acting diaphragm mode
Valve body material	WCB, SS304, SS316
Sealing material	NBR, FKM, others please consult
Suitable medium	Nature gas, Coal gas, Liquefied petroleum gas, Marsh gas and flammable gas etc.
Medium temperature	1.-20°C~80°C
Ambient temperature	Standard type: -20°C~60°C
Installation mode	Horizontal installation, coil vertical upward (others please consult)
Protection level	Anti-explosion:IP65

- Notes: Special conditions can be designed and manufactured according to the customer's actual conditions.

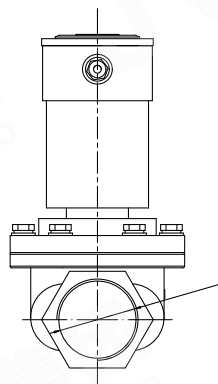
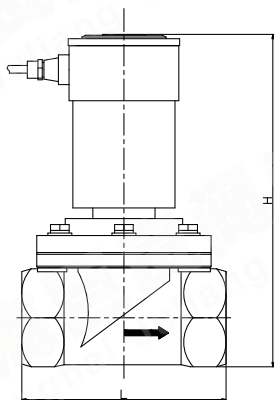
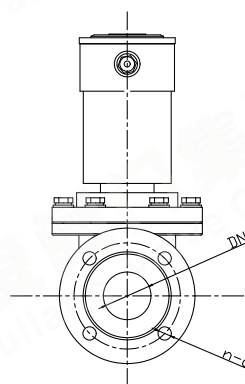
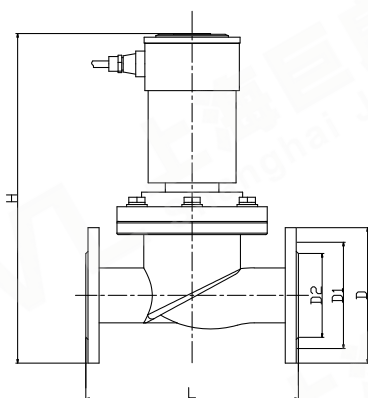
## Power parameter

Supply Voltage	AC:220V DC:24V other electrical be customized
Rated power	J25 AC100VA DC80W
Voltage deviation	±10%
Electrical connection	Anti-explosion:Standard G1/2 The external thread IP65 power cord cannot be replaced, and the reserved lead length is 1 meter

**ZCM****LARGE DIAMETER  
GAS SOLENOID VALVE****JVL®**

Application: Iron and steel metallurgy, electric power equipment, gas equipment, industrial kilns, textile printing and dyeing, nuclear industry, boiler burner, generator set, HVAC, thermal power plant and other automatic control systems.

GOOD SEALING/SAFE AND RELIABLE/CONTINUOUS POWER

**Thread connecting dimension(Figure1)****Flange connection dimension(Figure2)****Normally closed standard product specifications & dimensions**

Flange executive standard:GB/T 9113.1-2000

Type	Nominal diameter DN[mm]	Pipe thread [G]	Differential pressure range[bar]		Thread connection size				FlangeSize			
			AC	DC	L	H	D	D1	D2	n-φd	L	H
ZCM15	15	G1/2"	0~4	0~4	100	210	95	65	45	4-φ14	130	240
ZCM20	20	G3/4"	0~4	0~4	100	230	105	75	55	4-φ14	150	270
ZCM25	25	G1"	0~4	0~4	100	230	115	85	65	4-φ14	160	285
ZCM32	32	G1-1/4"	0~4	0~4	130	270	135	100	78	4-φ18	180	320
ZCM40	40	G1-1/2"	0~4	0~4	130	285	145	110	85	4-φ18	200	335
ZCM50	50	G2"	0~4	0~4	150	300	160	125	100	4-φ18	230	350
ZCM65	65	-	0~4	0~4	-	-	180	145	120	4-φ18	290	480
ZCM80	80	-	0~4	0~4	-	-	195	160	135	8-φ18	310	500
ZCM100	100	-	0~4	0~4	-	-	215	180	155	8-φ18	350	520
ZCM125	125	-	0~4	0~4	-	-	245	210	185	8-φ18	400	580
ZCM150	150	-	0~4	0~4	-	-	281	240	210	8-φ18	480	640
ZCM200	200	-	0~4	0~4	-	-	335	295	265	12-φ22	600	700
ZCM250	250	-	0~4	0~4	-	-	405	355	320	12-φ25	650	820
ZCM300	300	-	0~4	0~4	-	-	460	410	370	12-φ25	750	920
ZCM350	350	-	0~4	0~4	-	-	520	470	435	16-φ25	850	1080
ZCM400	400	-	0~4	0~4	-	-	580	525	480	16-φ30	950	1200
ZCM500	500	-	0~4	0~4	-	-	705	650	609	20-φ34	1150	1650

Notes: 1. The above of technical data & mount size is standard design, if attach function option or pipe fit design strict, please ask us for "Outer size figure".  
Other grade pressure or specific requirement be subject to confirmed appointment or actual product.